



MOULDING
CATALOUGE

Table of Contents

#1 – 99: Stock mouldings

#100 – 199: Casings / Headers

#200 – 299: Baseboards

#300 – 399: Caps / Brickmoulds

#400 – 499: Trim / Stops / Picture Rails

#500 – 599: Crown Mouldings

#600 – 699: Siding

#700 – 724: Handrails & Stringer Caps

#725 – 749: Eavestroughs

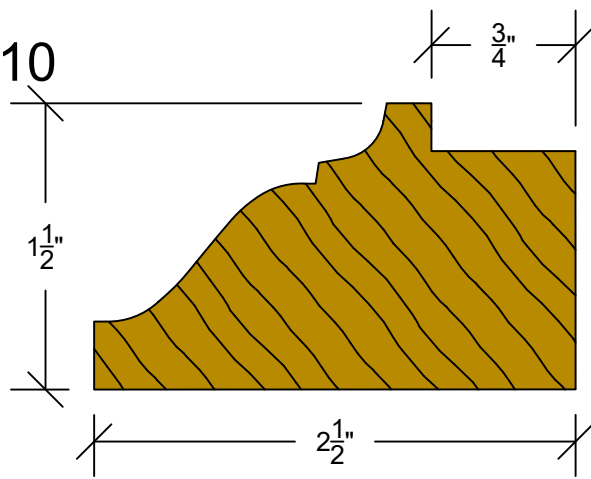
#750 – 799: Flooring / Soffit / Paneling

Stock Mouldings

These are various heritage profiles that we keep in stock at all times.

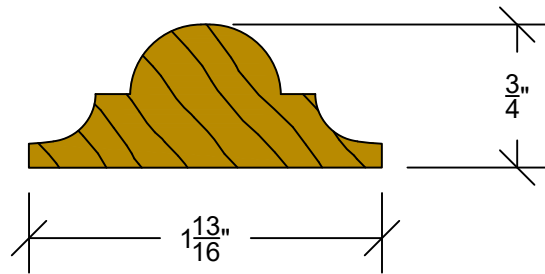
#1 - #99

#1 Door Cap 1910

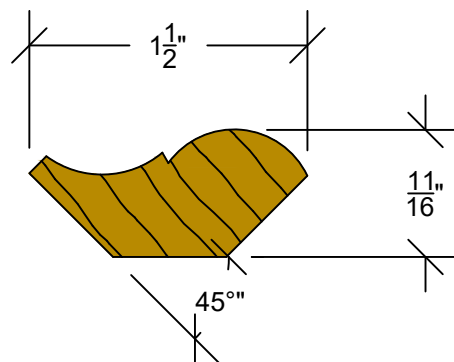


#02 Three Bead

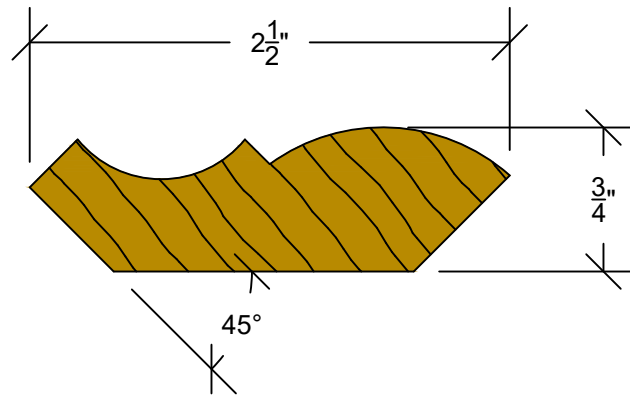
#03 Astragal



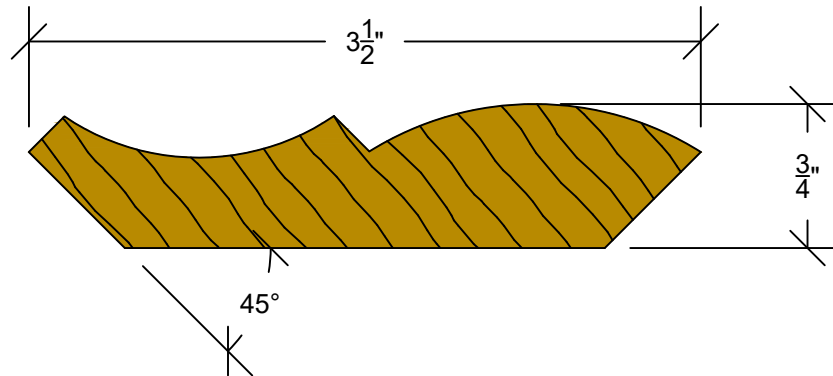
#04 Bed Mould



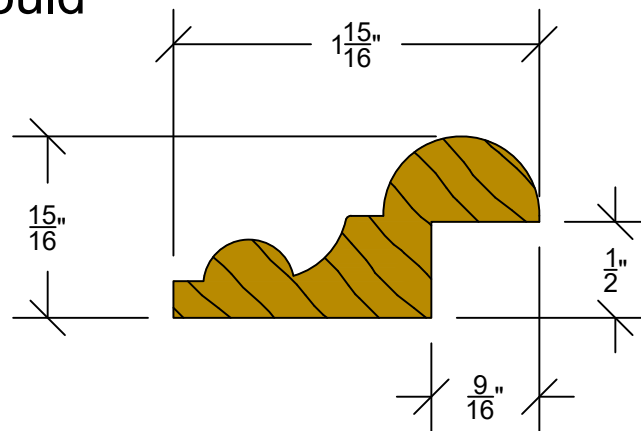
#05 Bed Mould



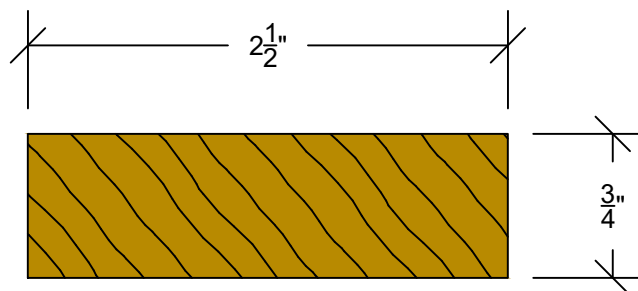
#06 Bed Mould



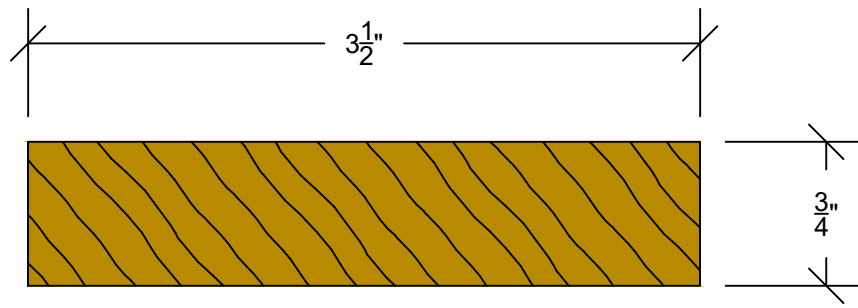
#07 Bolection Mould



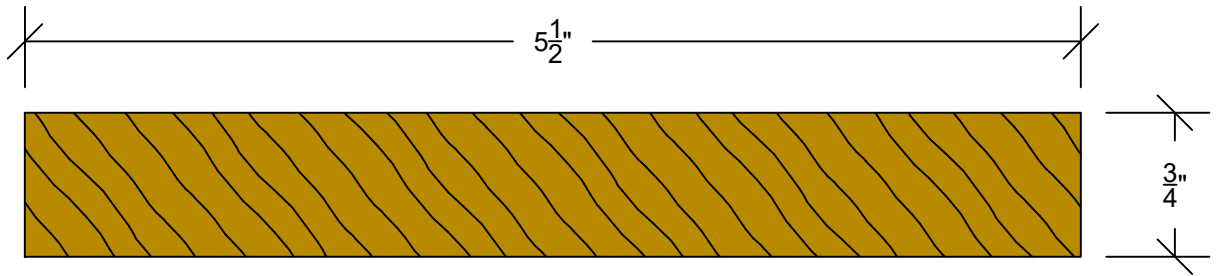
#12 Casing



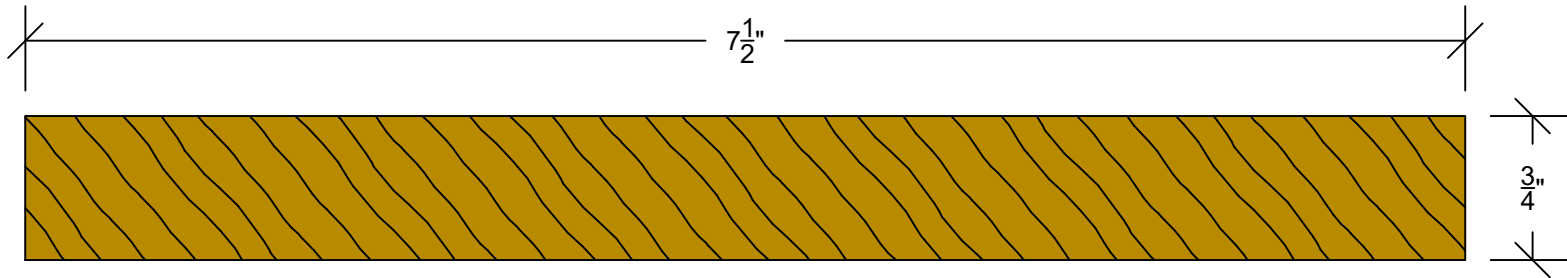
#13 Casing



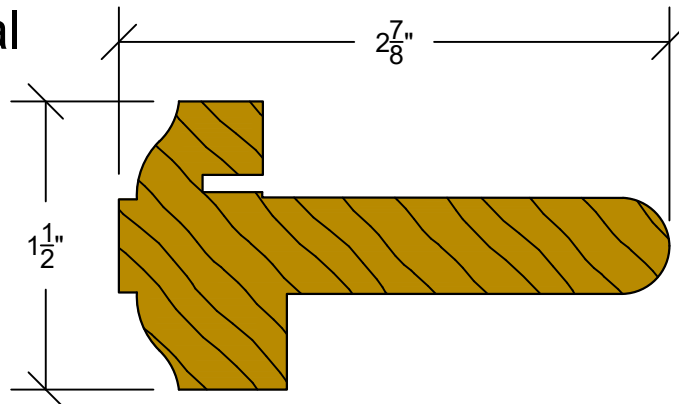
#14 Casing



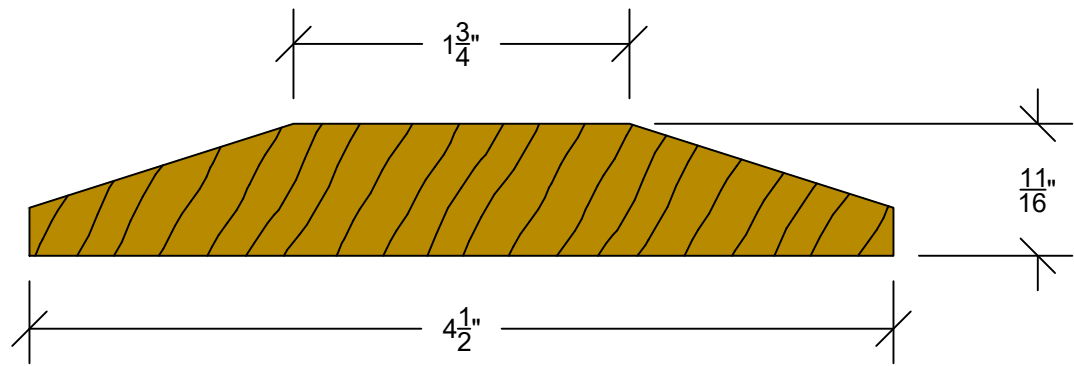
#15 Casing



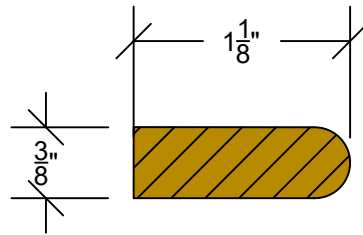
#18 Door Astragal



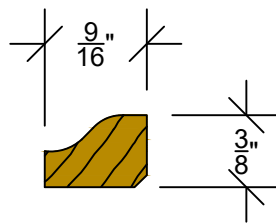
#19 Door Threshold



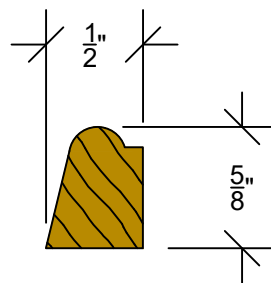
#20 Fillet Strip



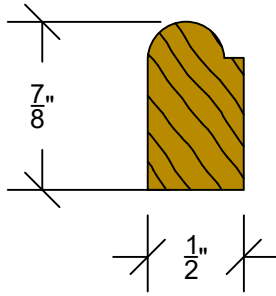
#21 Thermal Glass Stop



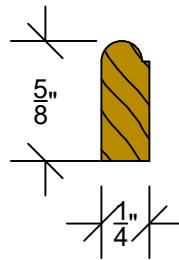
#22 Glass Stop



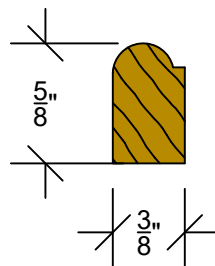
#23
Glass Stop



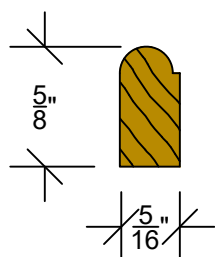
#25
Glass Stop



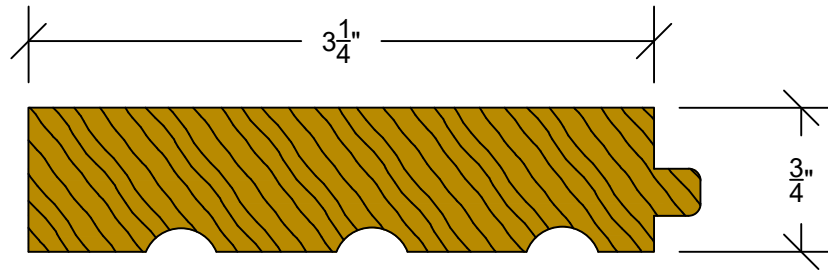
#27
Glass Stop



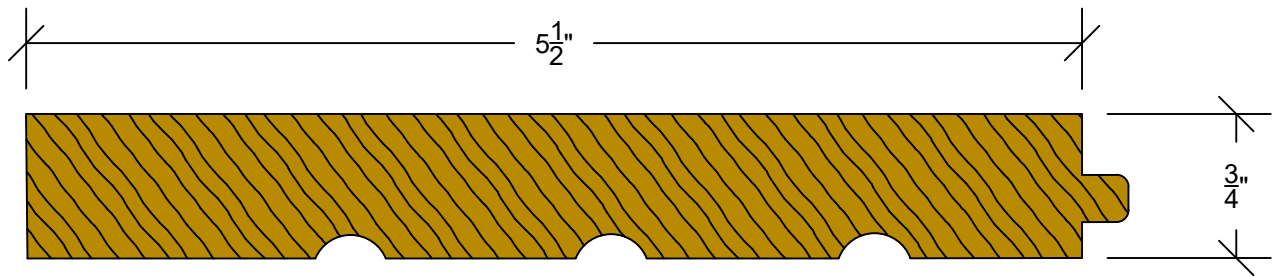
#28
Glass Stop



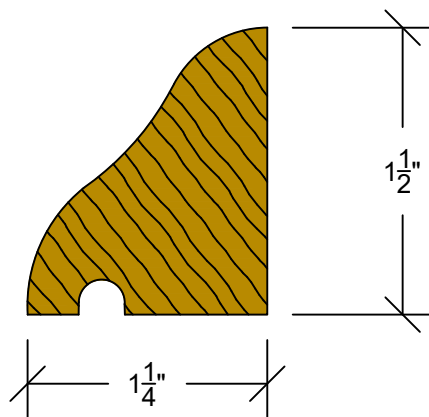
#30 Jamb Extension



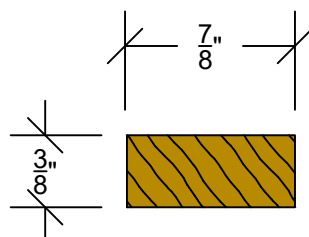
#31 Jamb Extension



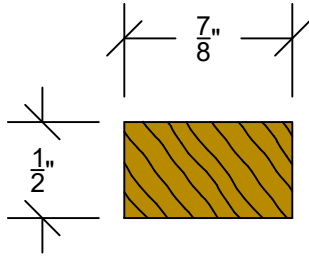
#32 Lambs Tongue



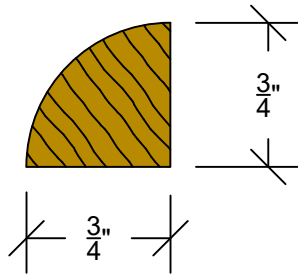
#33 Parting Strip



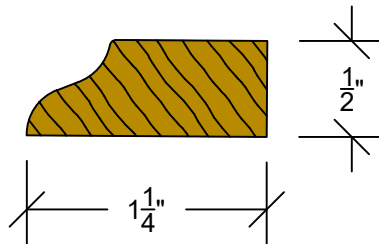
#34 $\frac{1}{2}$ " Parting Strip



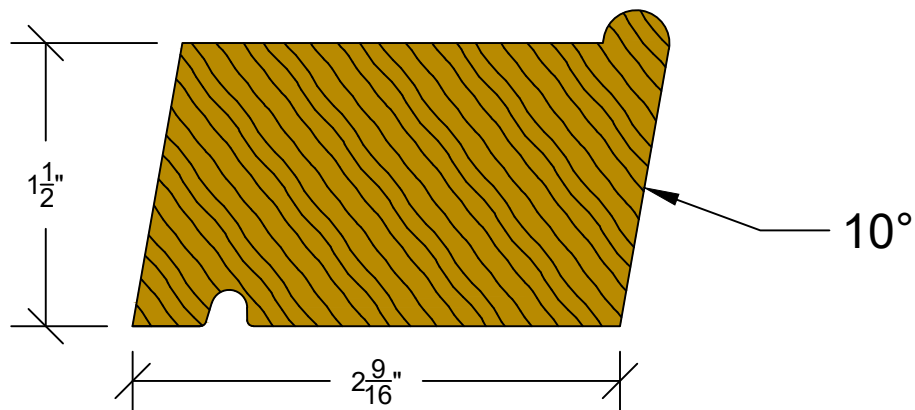
#36 Quarter Round



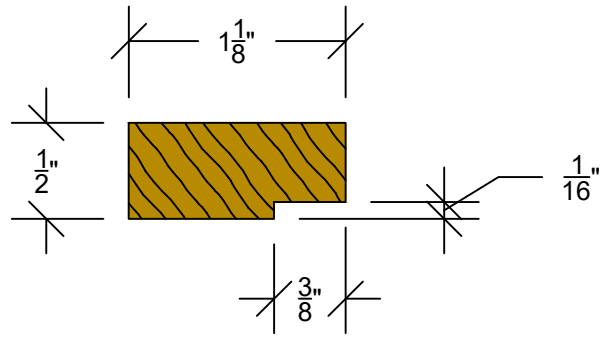
#37 Ogee Sash Stop



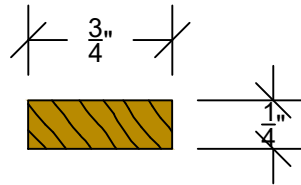
#38 2nd Sill



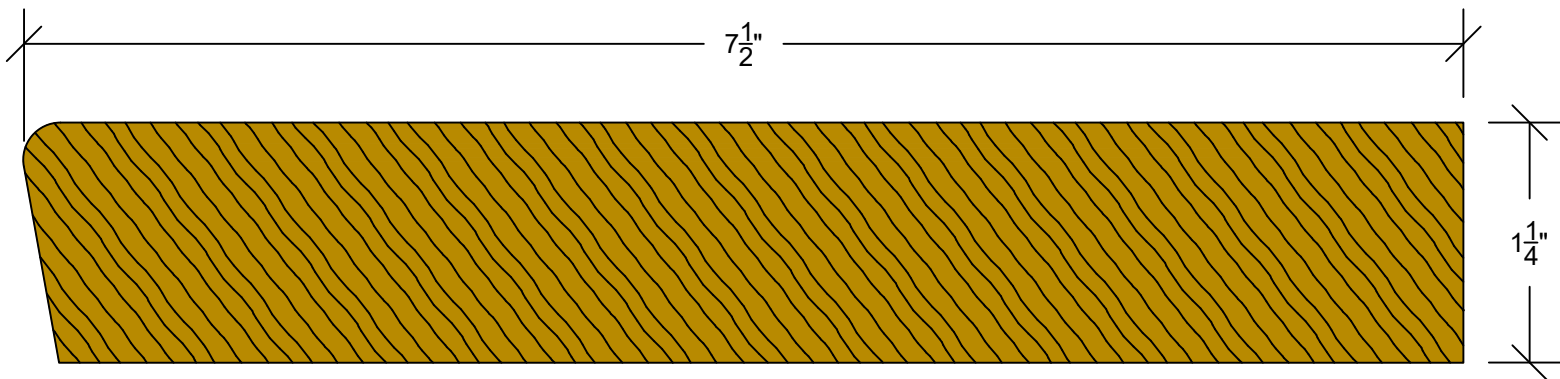
#39 Sill Insert



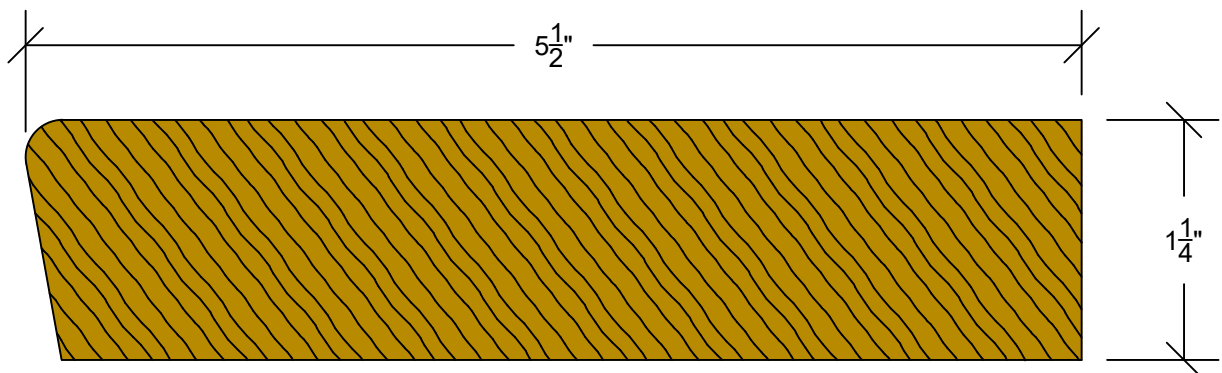
#40 Square Screen Stop



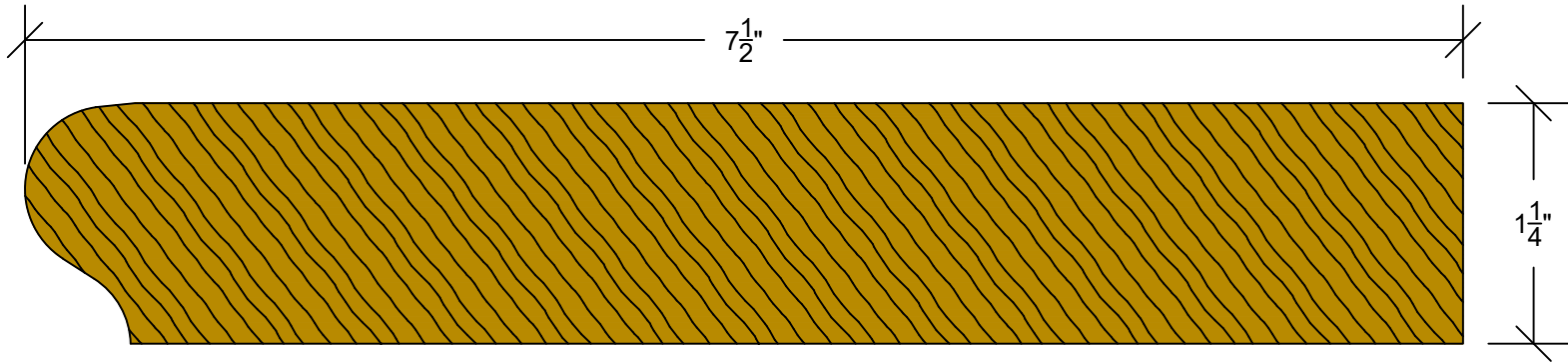
#42 Stool 10°



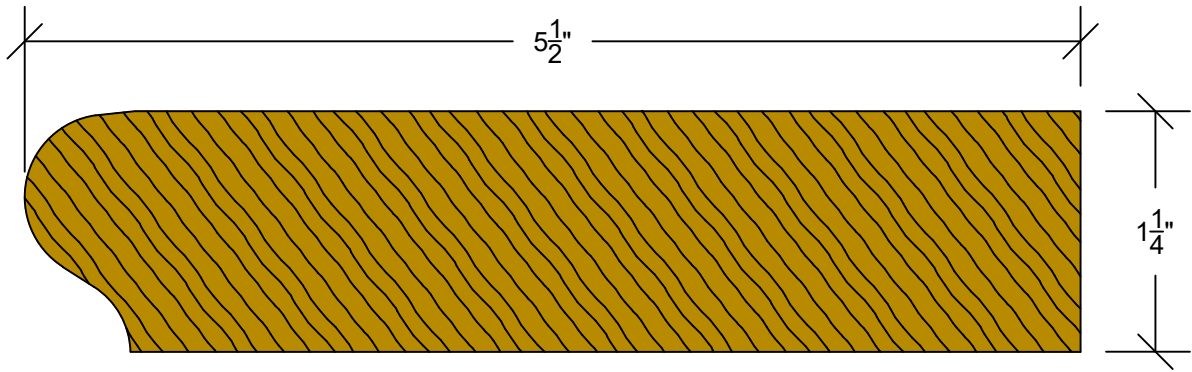
#43 Stool 10°



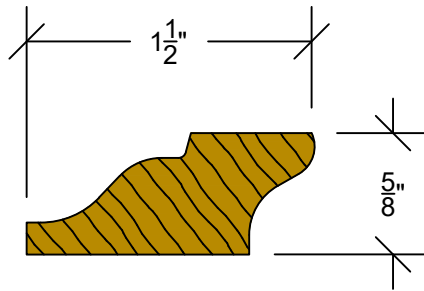
#44 Stool Ogee



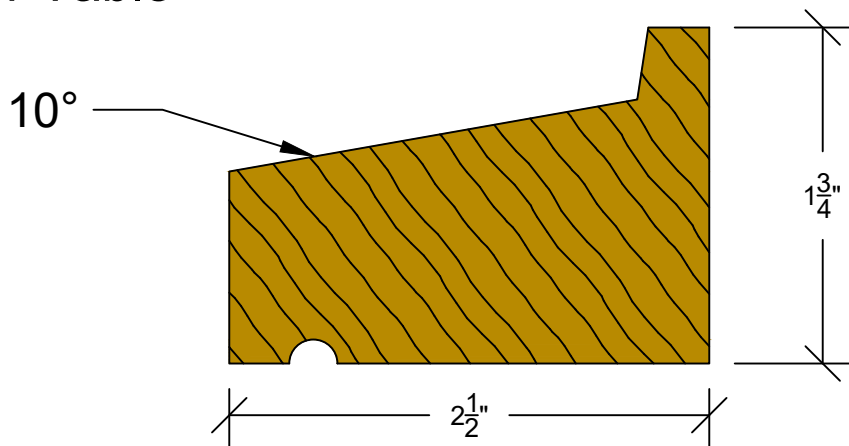
#45 Stool Ogee



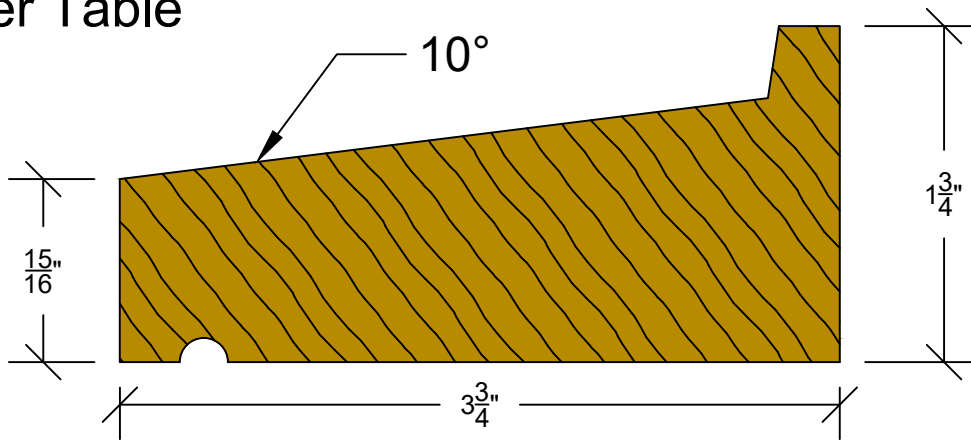
#48 Stucco Mould



#49 Water Table



#50 Water Table

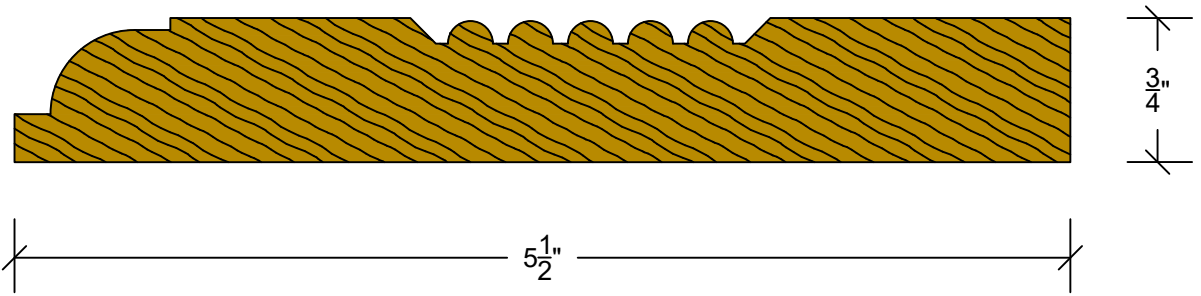


Casings / Headers

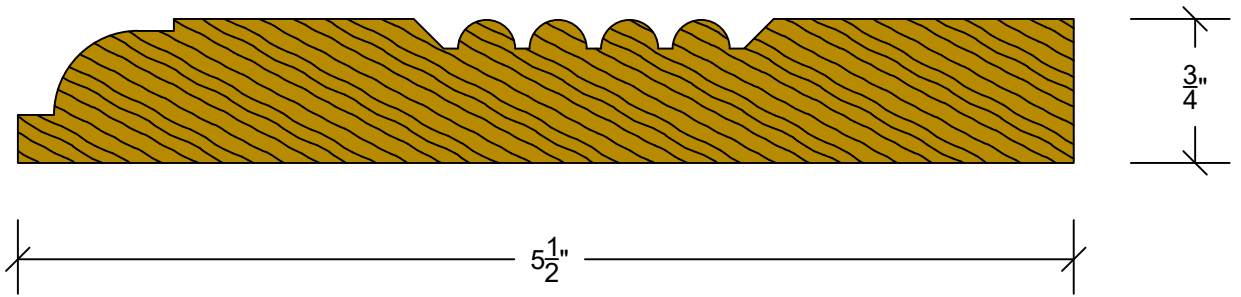
Casings are the finished trim that surrounds the sides of a door or window opening, it helps to bridge the gap between the finished wall and the frame to which it is attached

#100 - #199

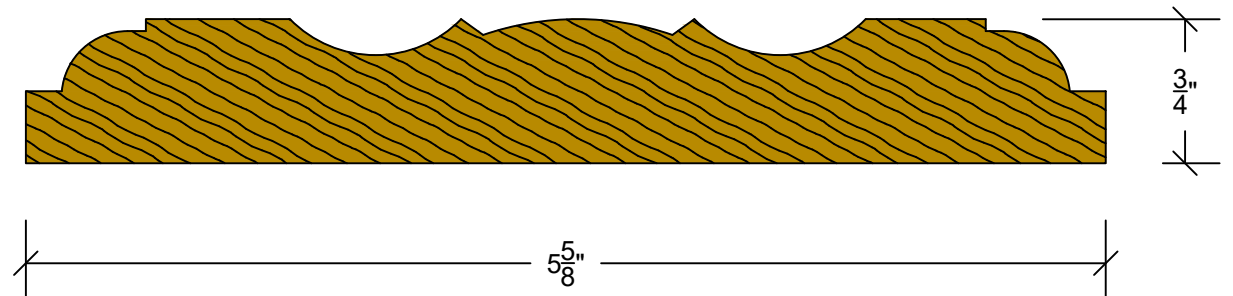
#100



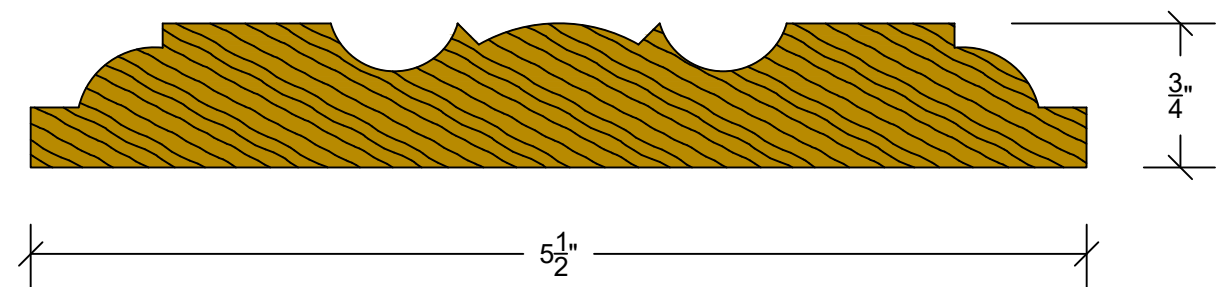
#101



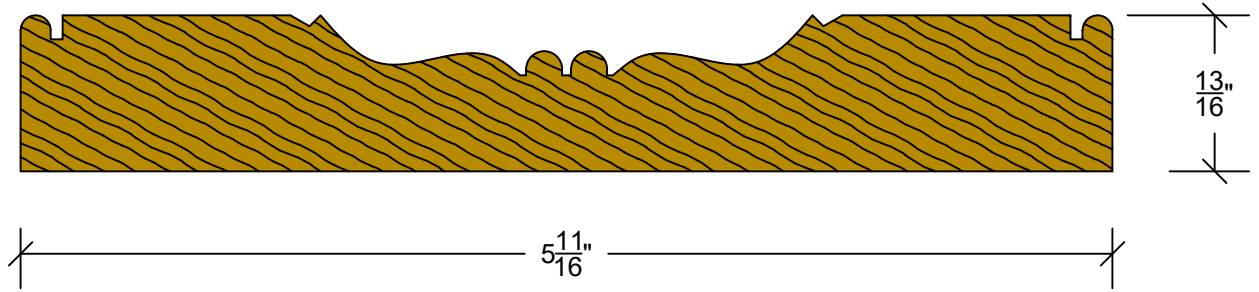
#102



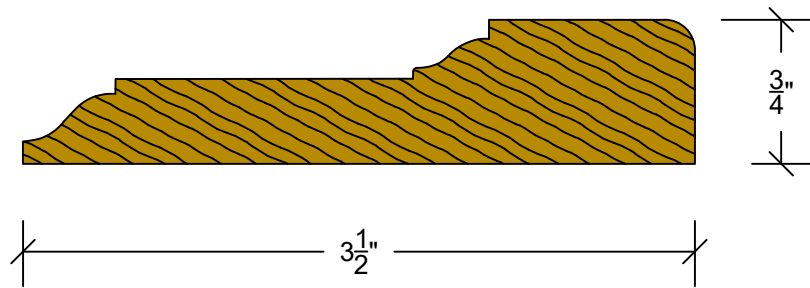
#103



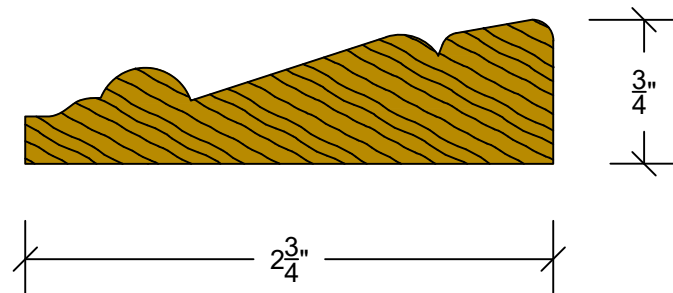
#104



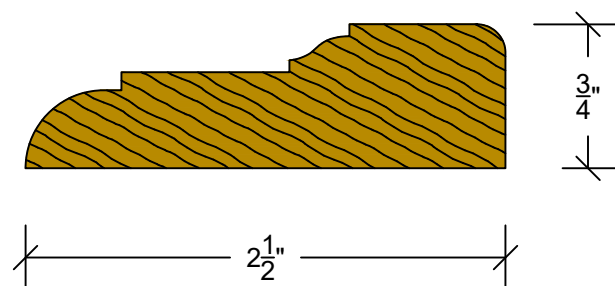
#105



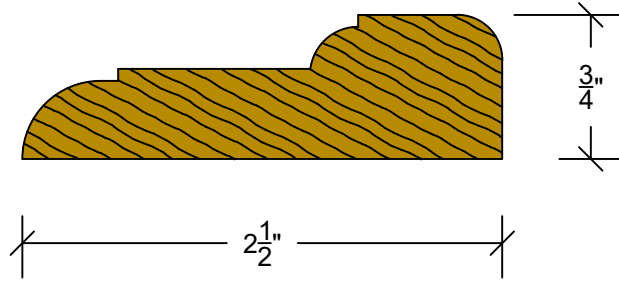
#106



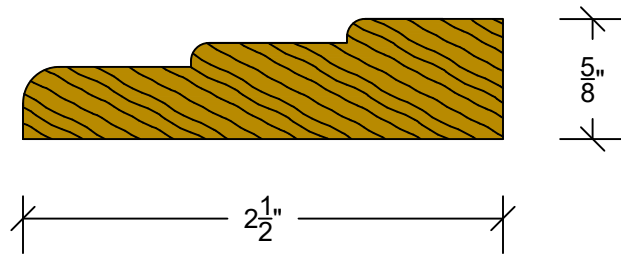
#107



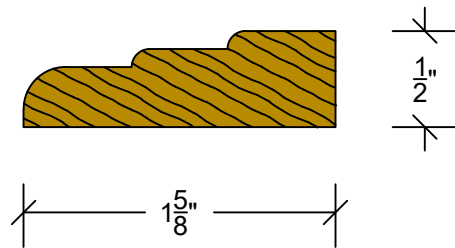
#108



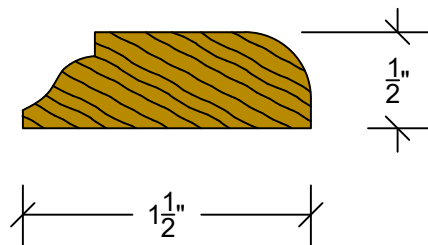
#109



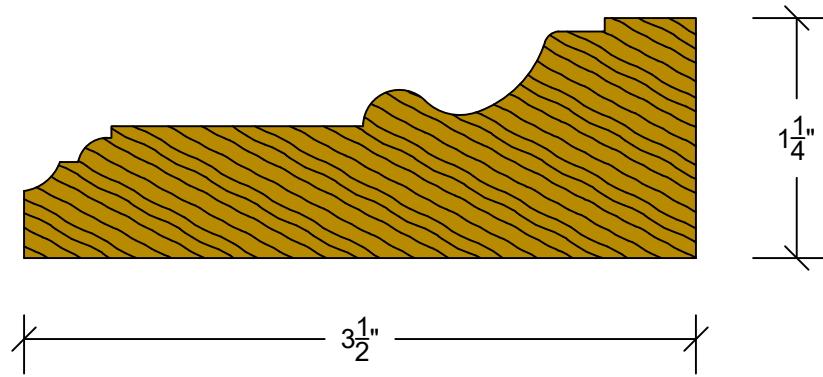
#110



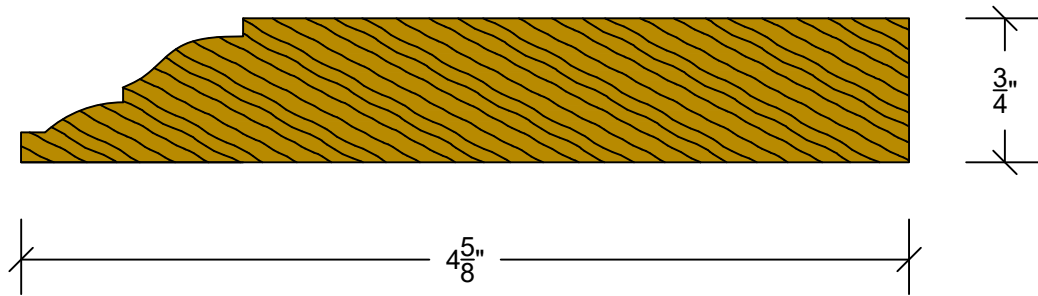
#111



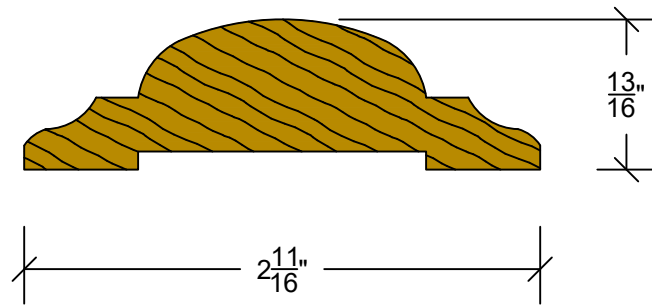
#112



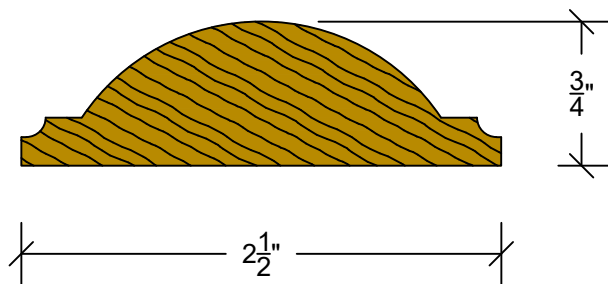
#113



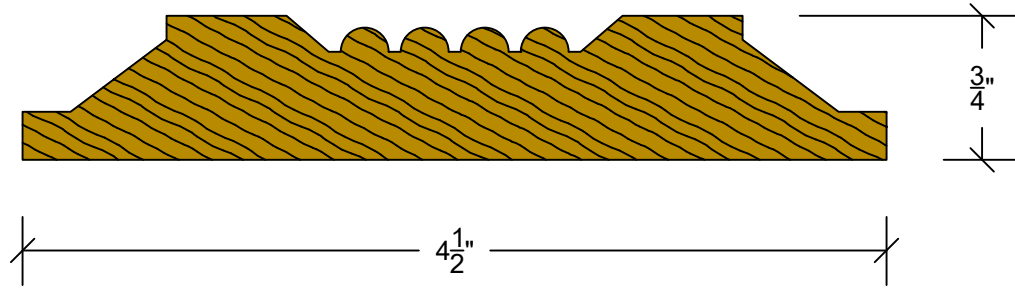
#114



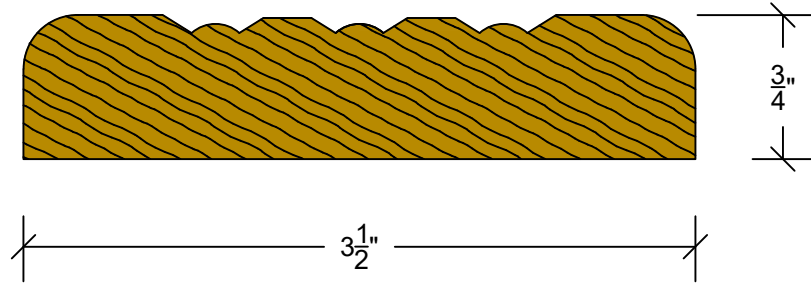
#115



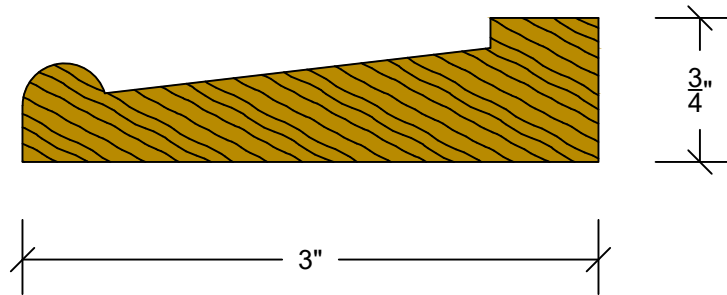
#116



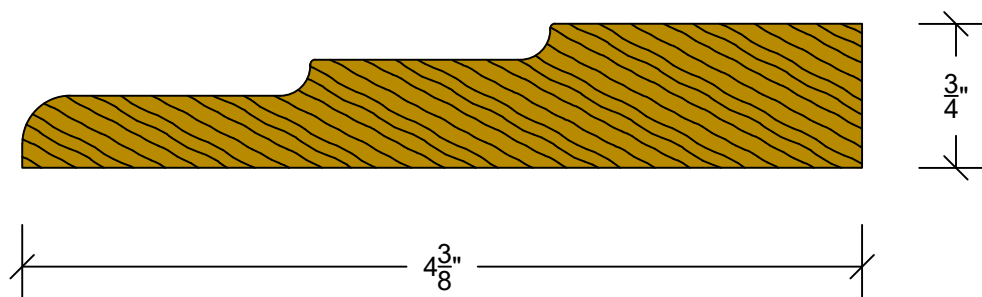
#117



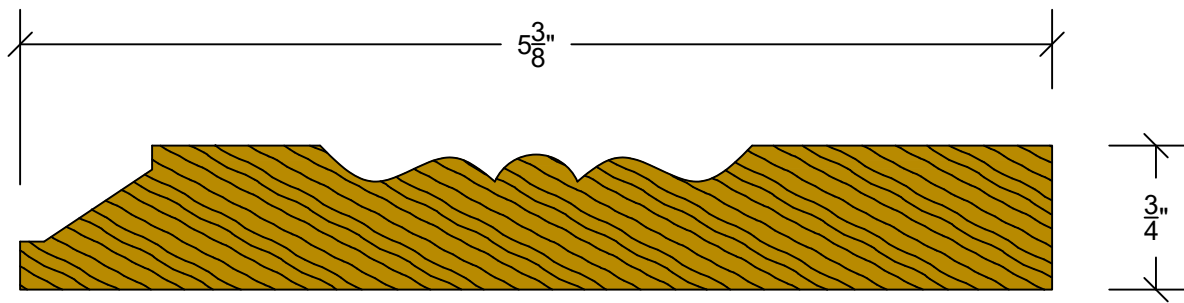
#118



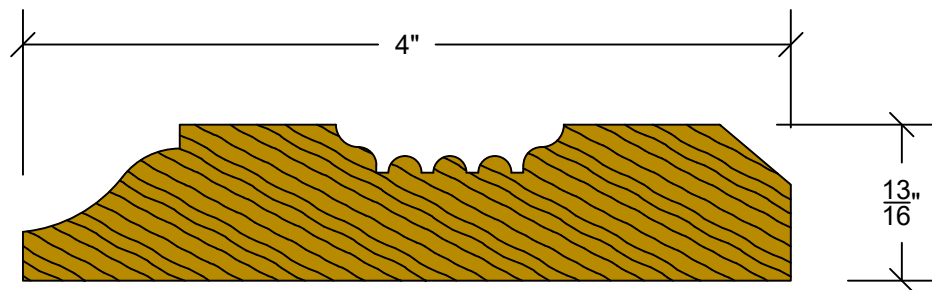
#119



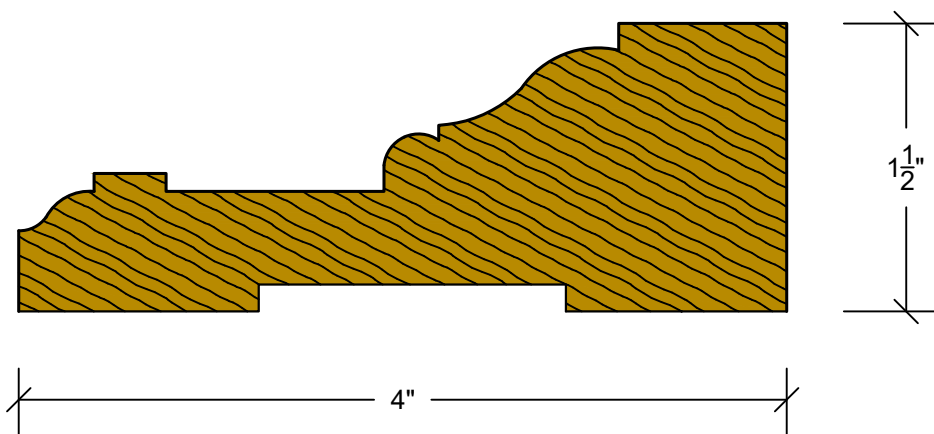
#120



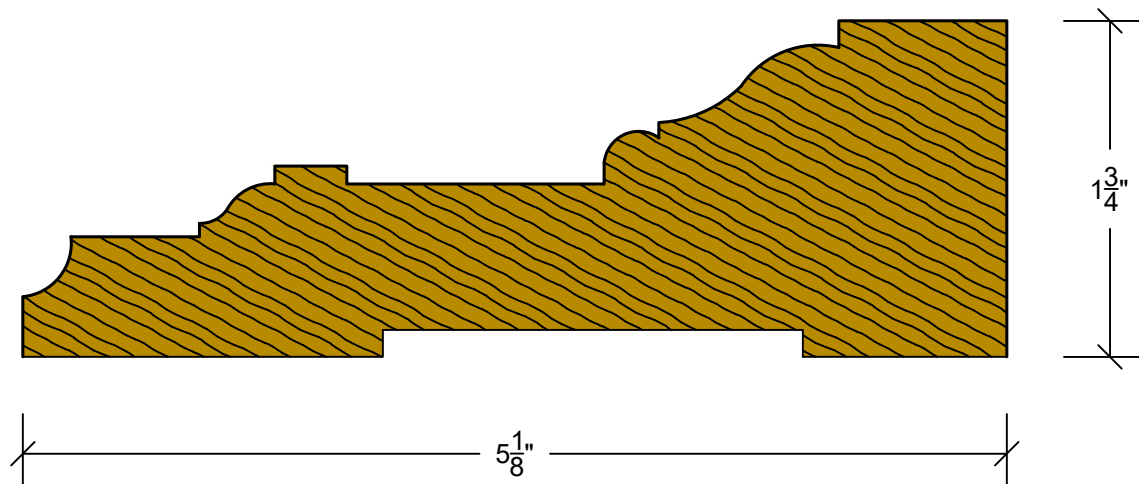
#121



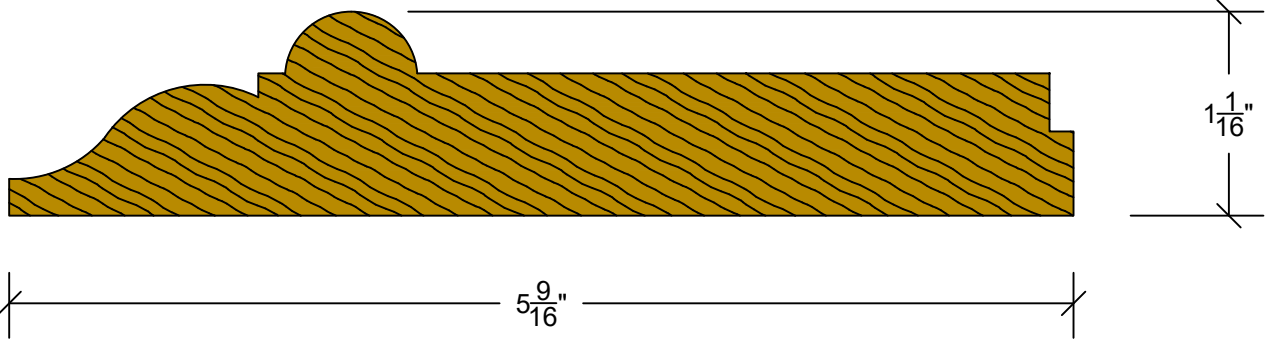
#122



#123



#124

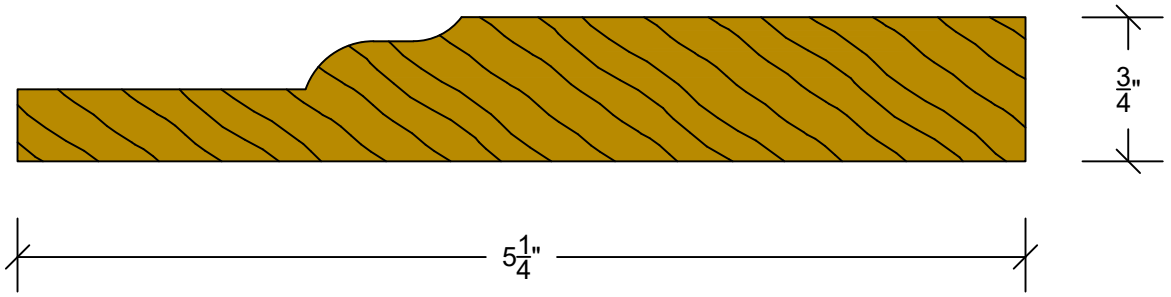


Baseboards

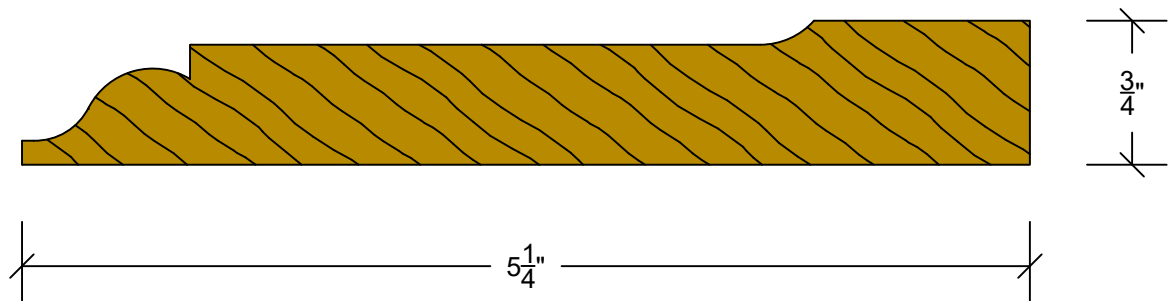
Baseboards are the trim that is installed at the bottom of the wall to cover the gap between the wall and floors

#200 - #299

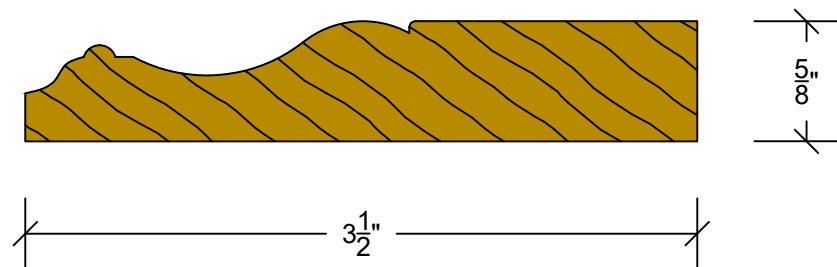
#200



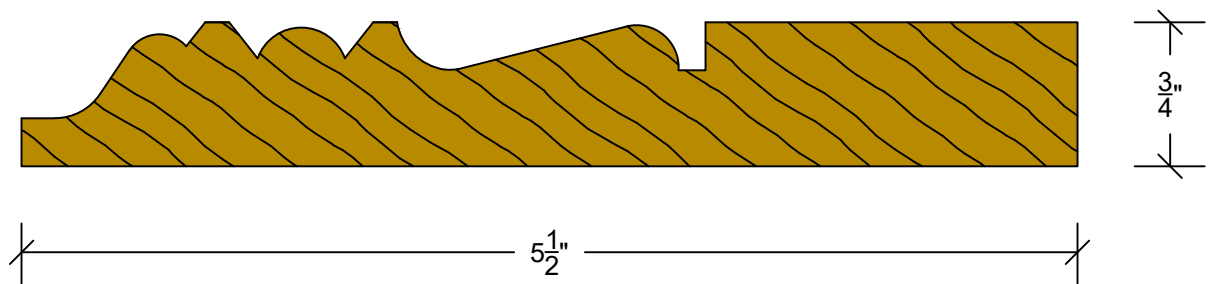
#201



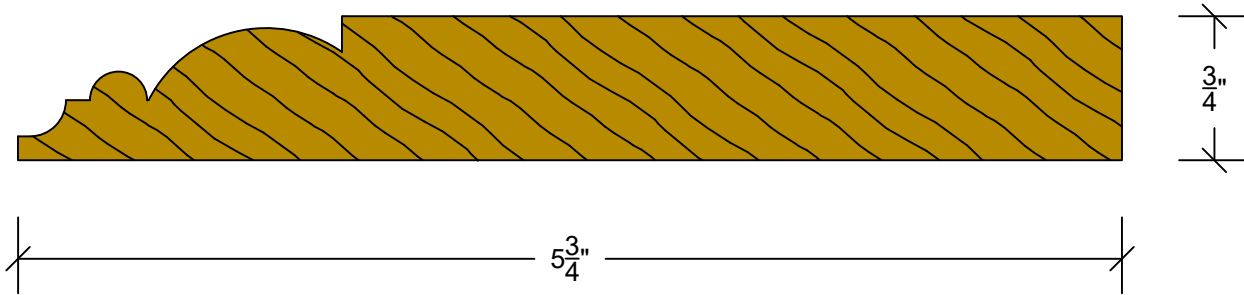
#202



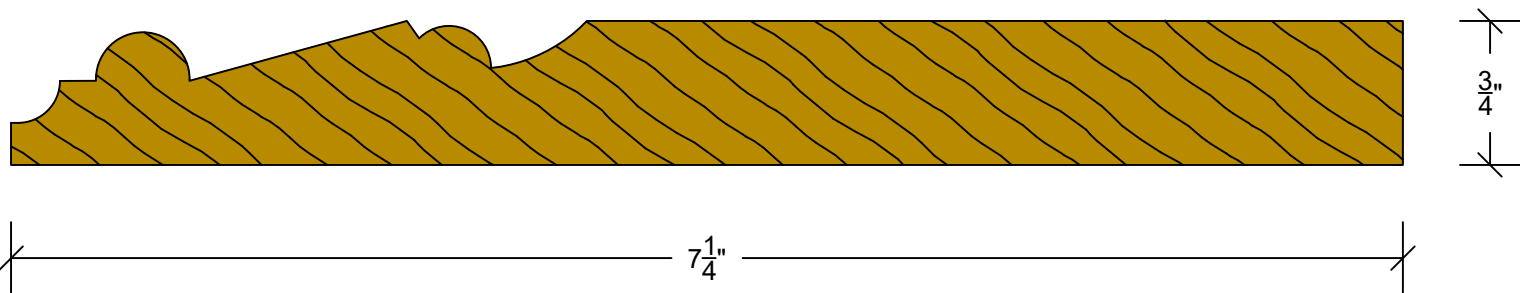
#203



#204



#205



#206

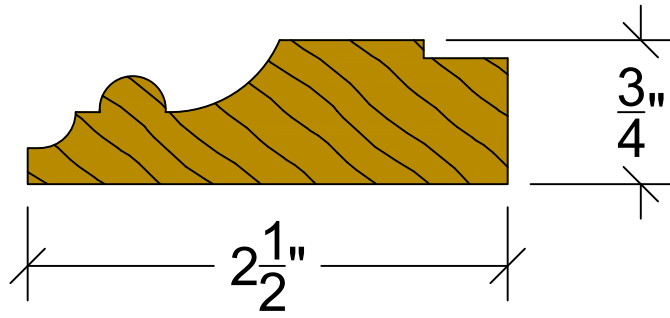
#207

Caps

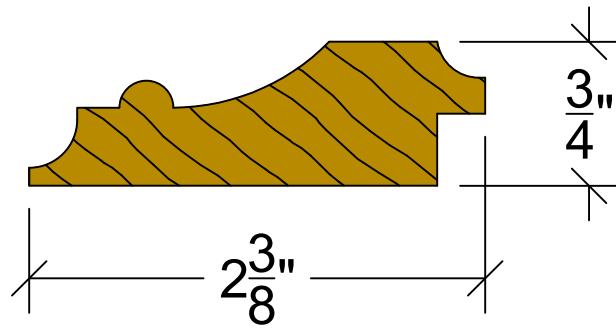
moulding piece that is sometimes used in conjunction with other mouldings to create ornament and enhance the design of a simple ornament.

#300 - #399

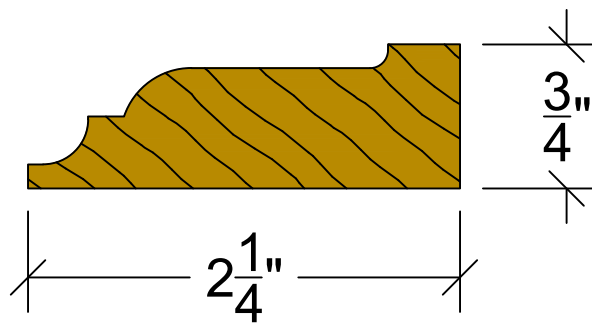
#300



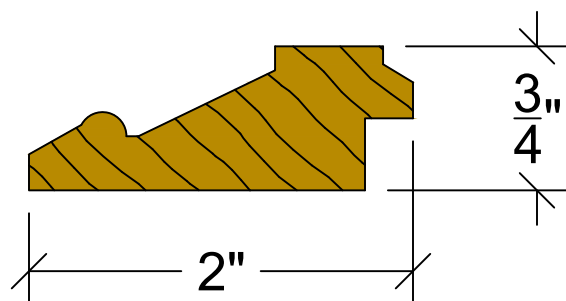
#301



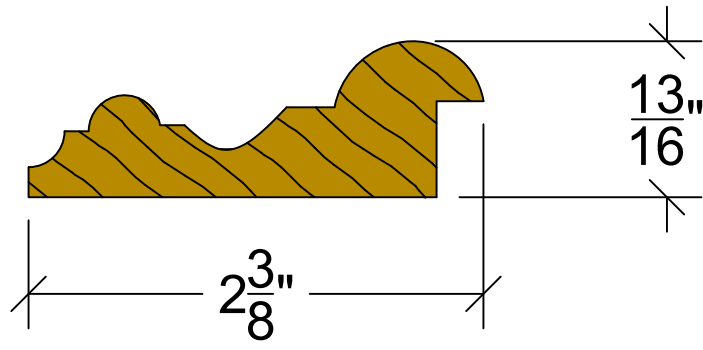
#302



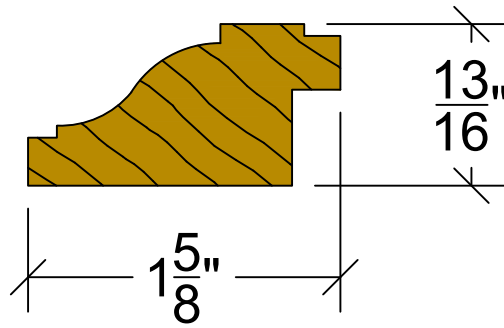
#303



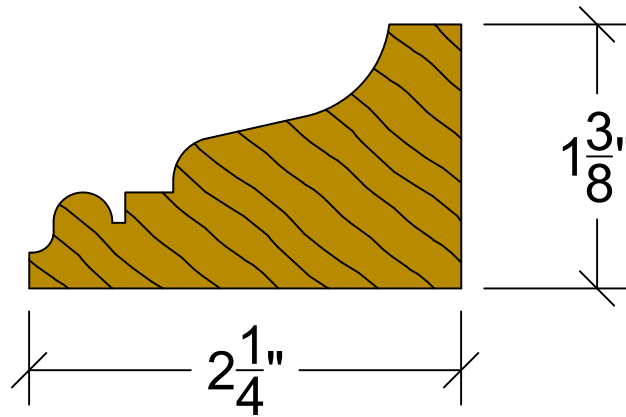
#304



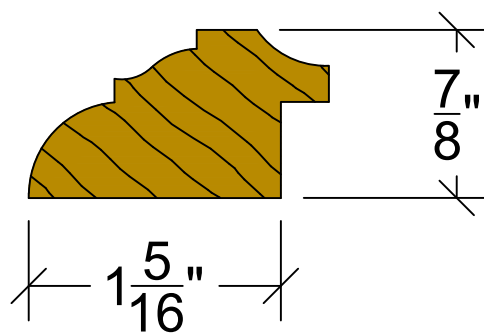
#305



#306



#307

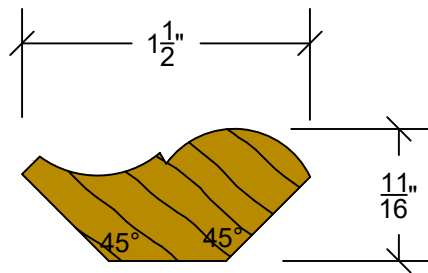


Crowns

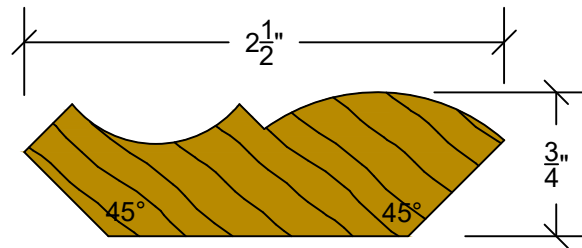
A decorative trim that is installed where the wall
meets the ceiling

#500 - #599

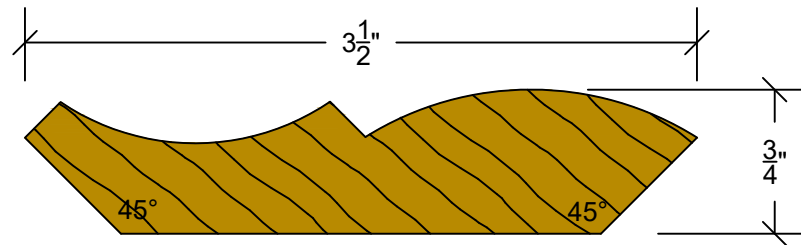
#04 Bed Mould



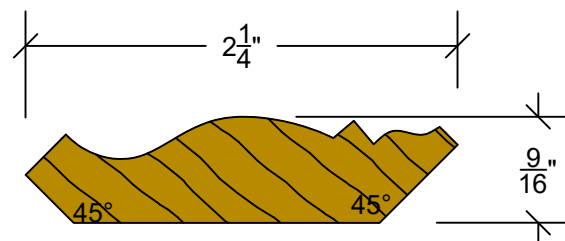
#05 Bed Mould



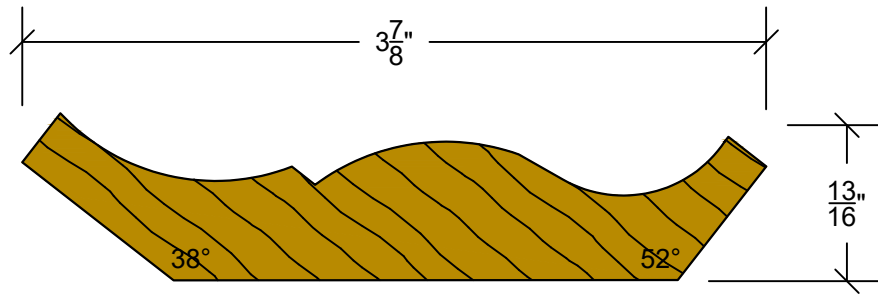
#06 Bed Mould



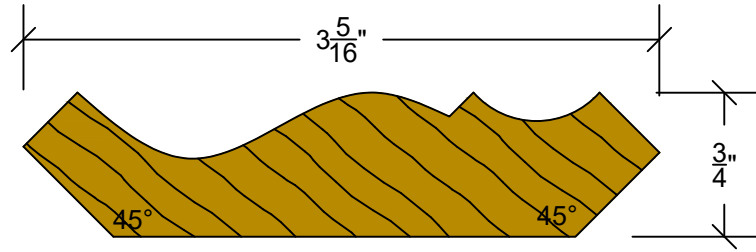
#500



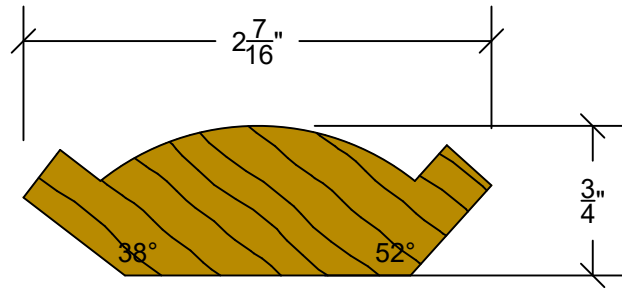
#501



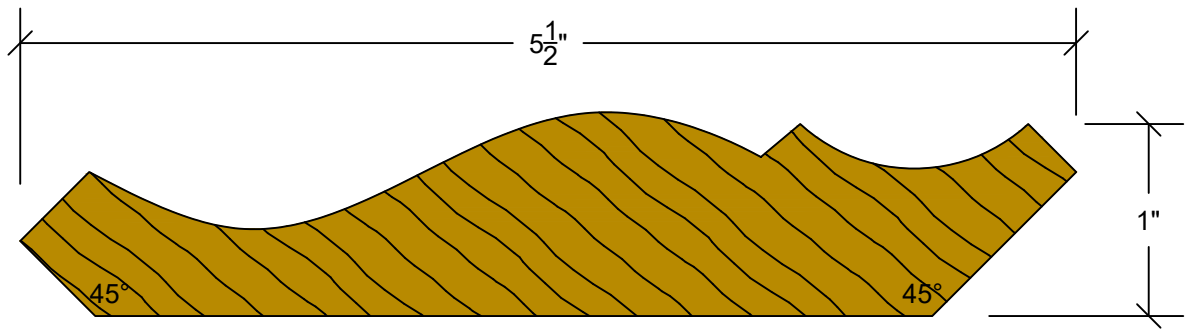
#502



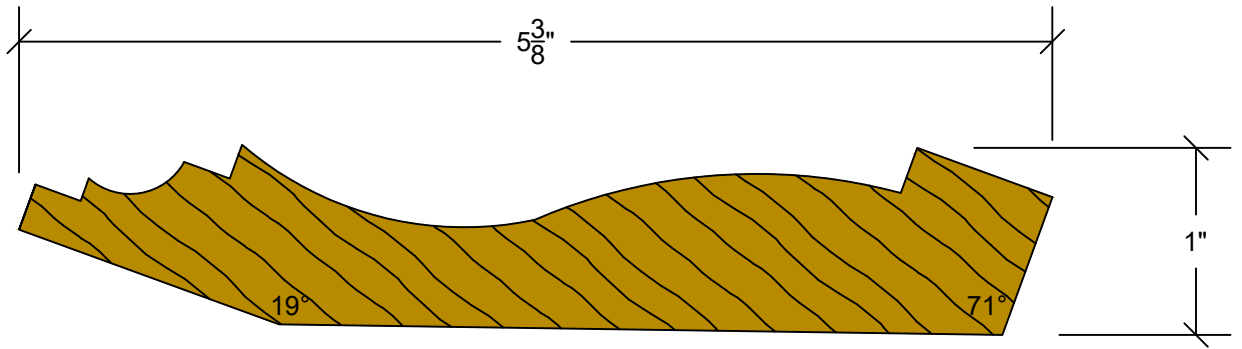
#503



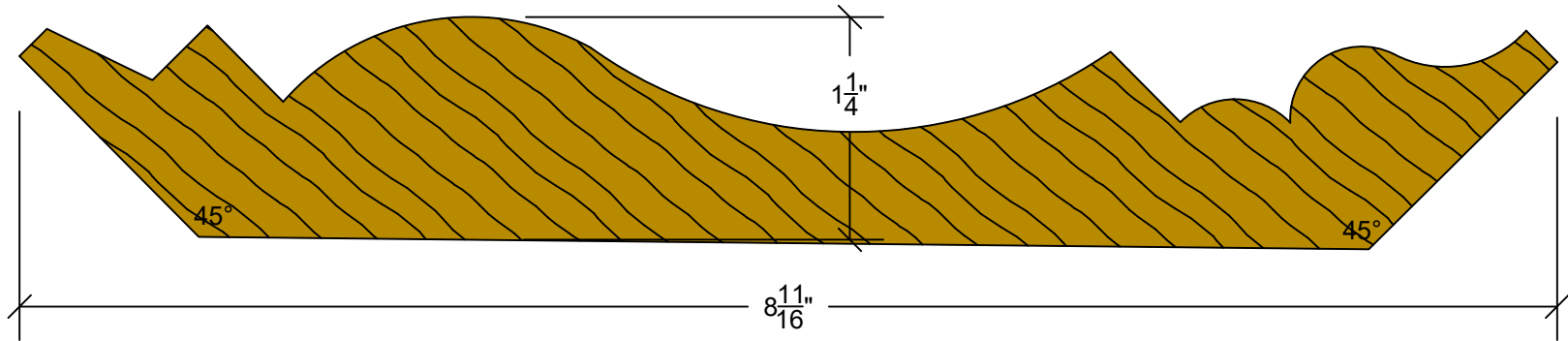
#504



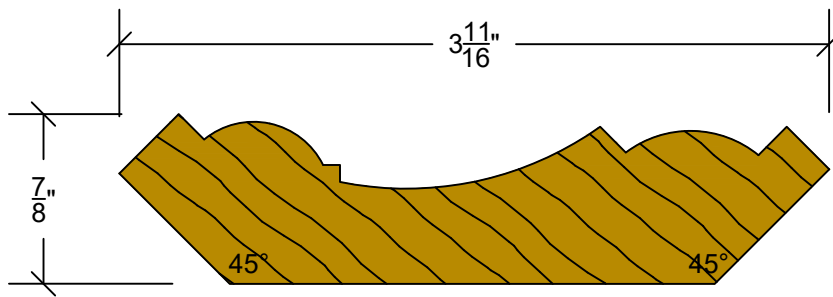
#505



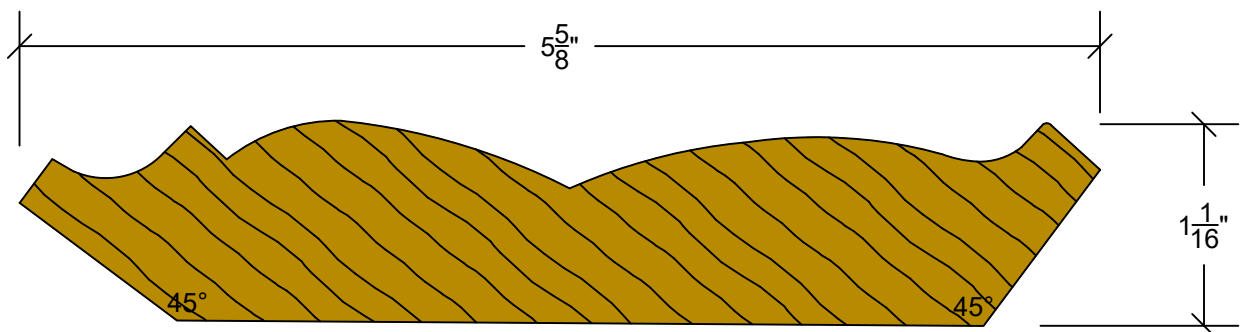
#506



#507



#508

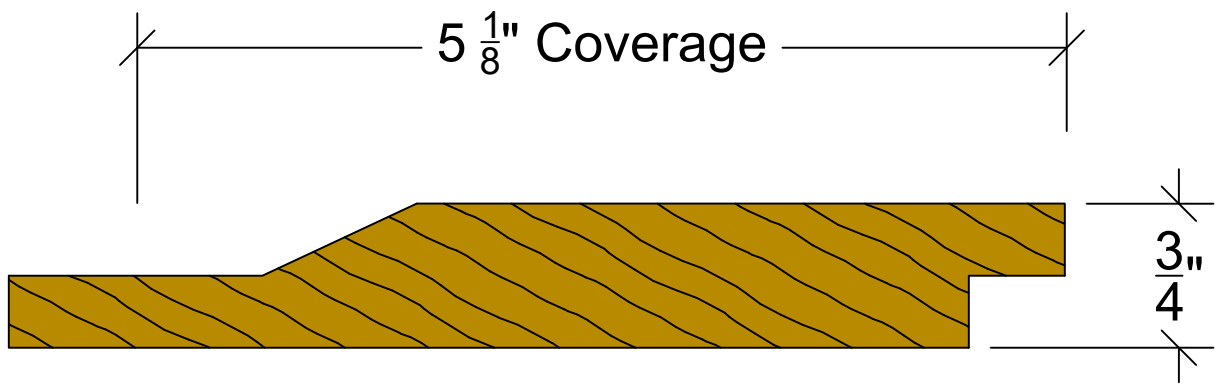


Siding

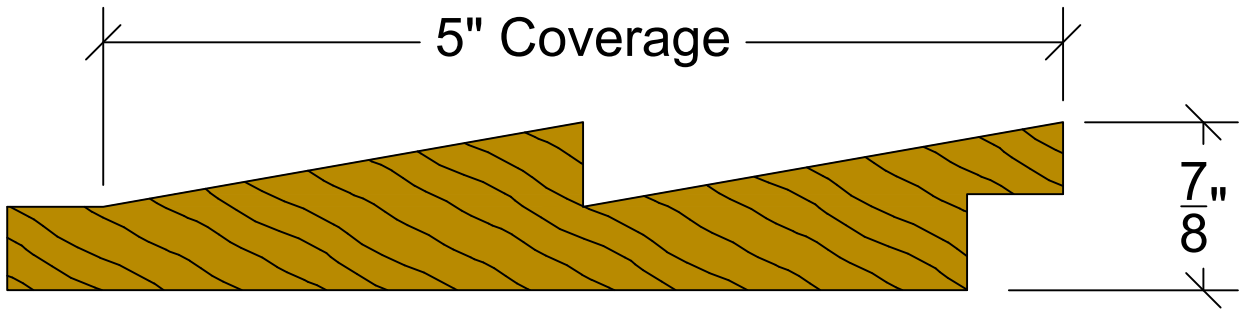
Trim on the exterior to cover exterior walls and provide protection

#600 - #699

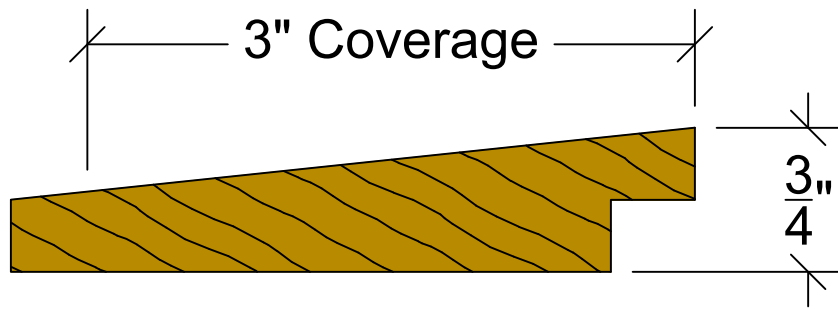
#600



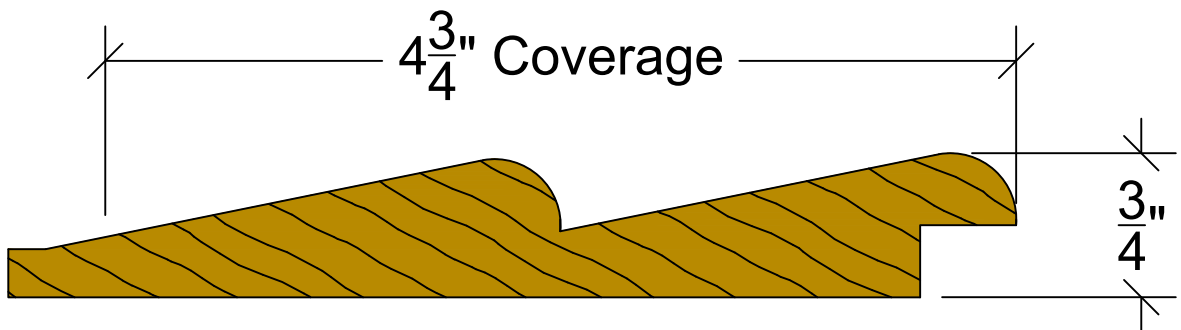
#601



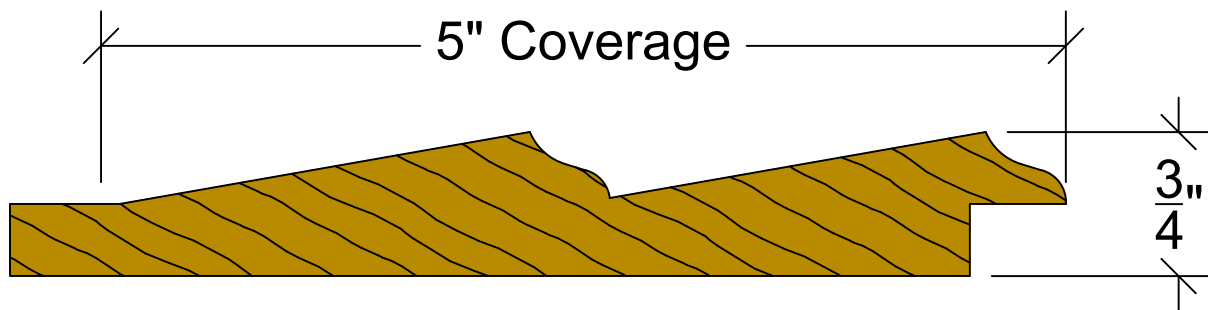
#602



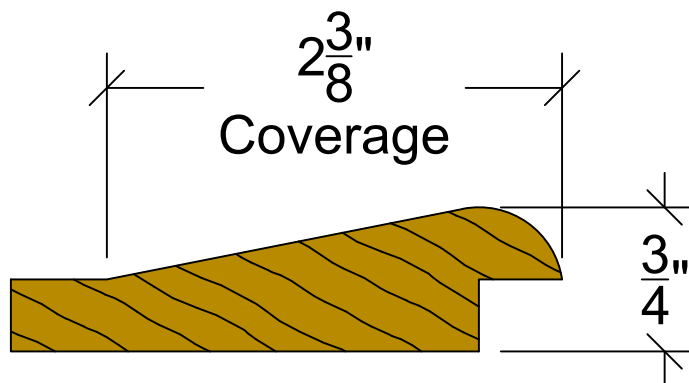
#603



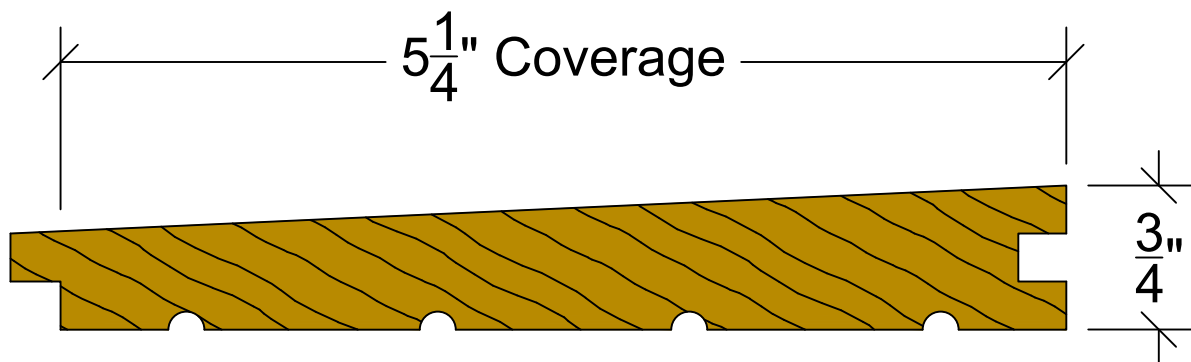
#604



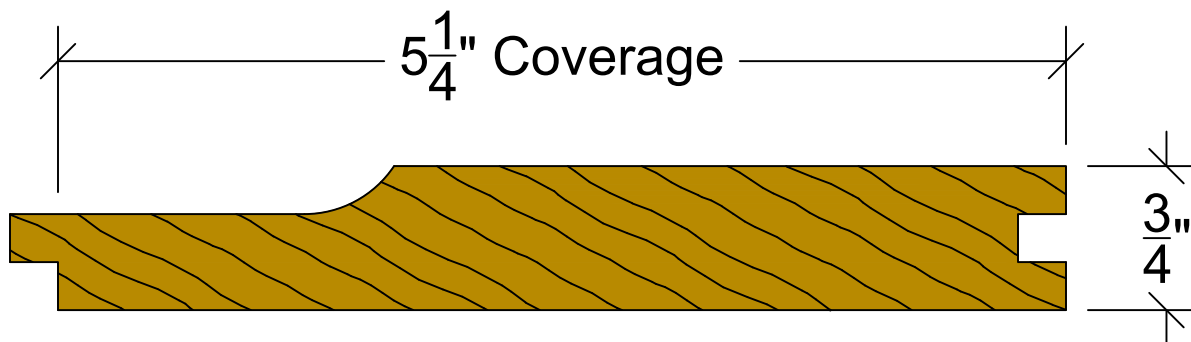
#605



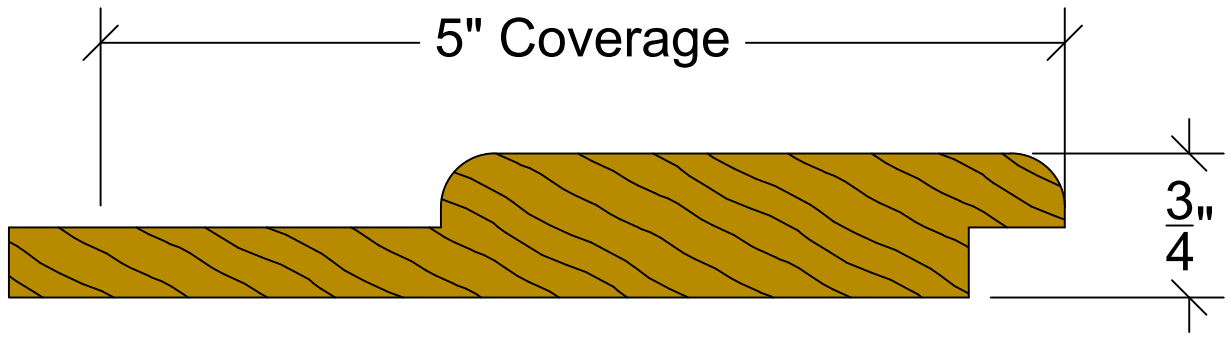
#606



#607



#608



#609

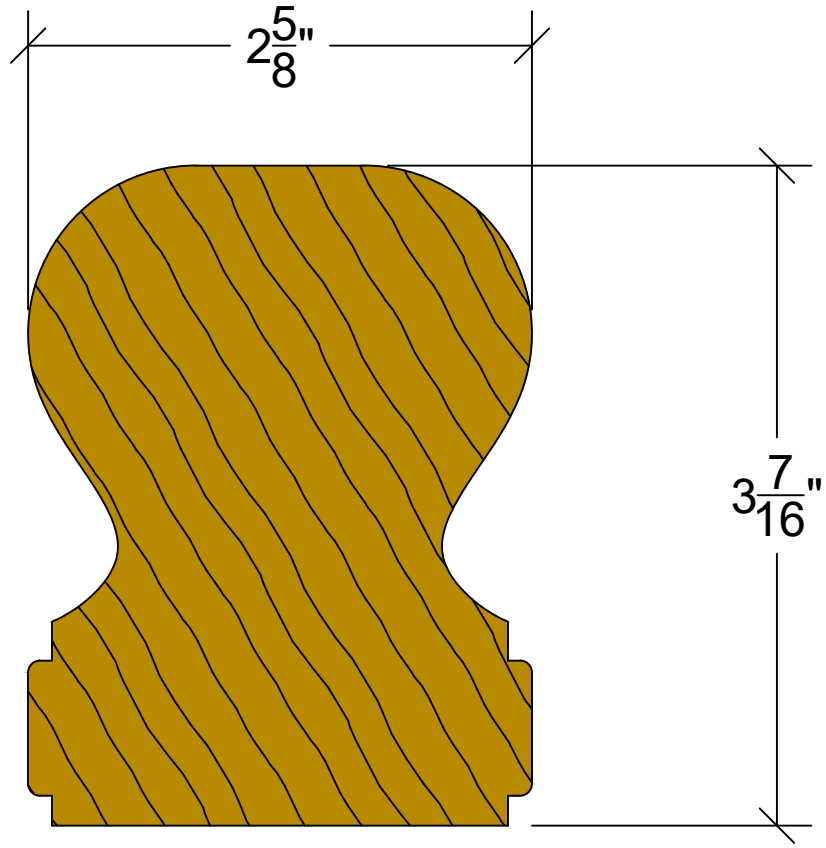
#610

#611

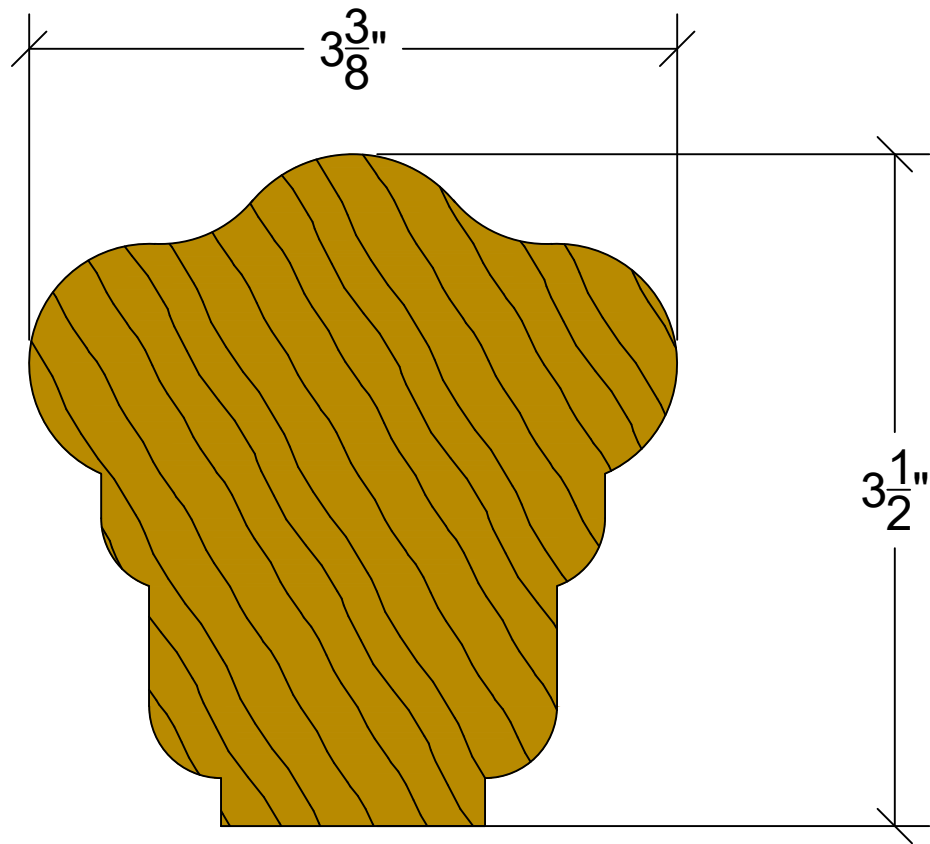
Handrails

#700 - #724

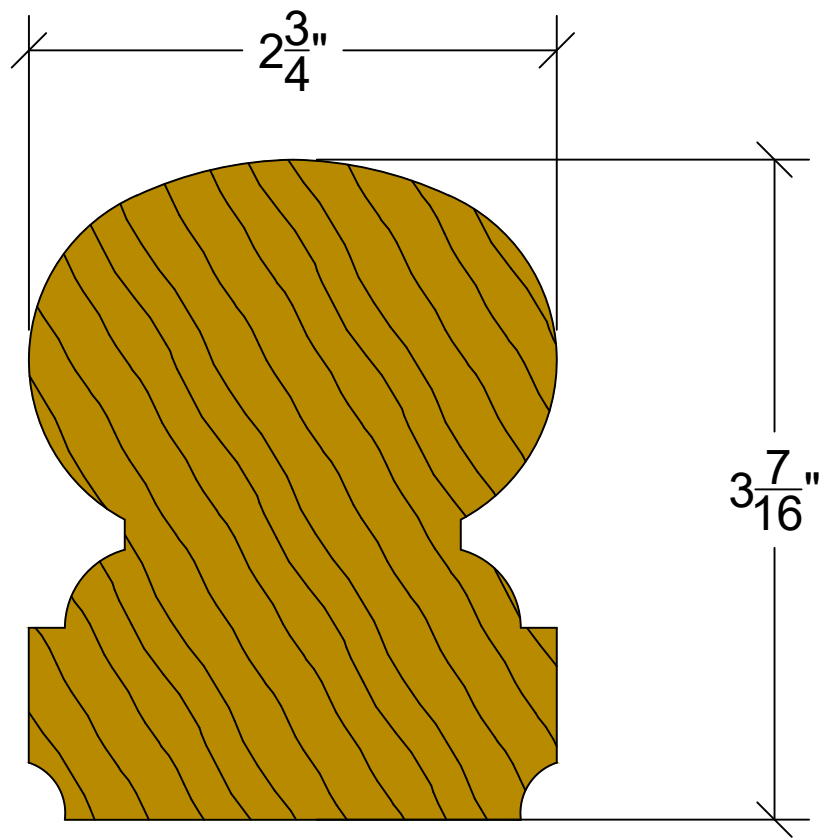
#700



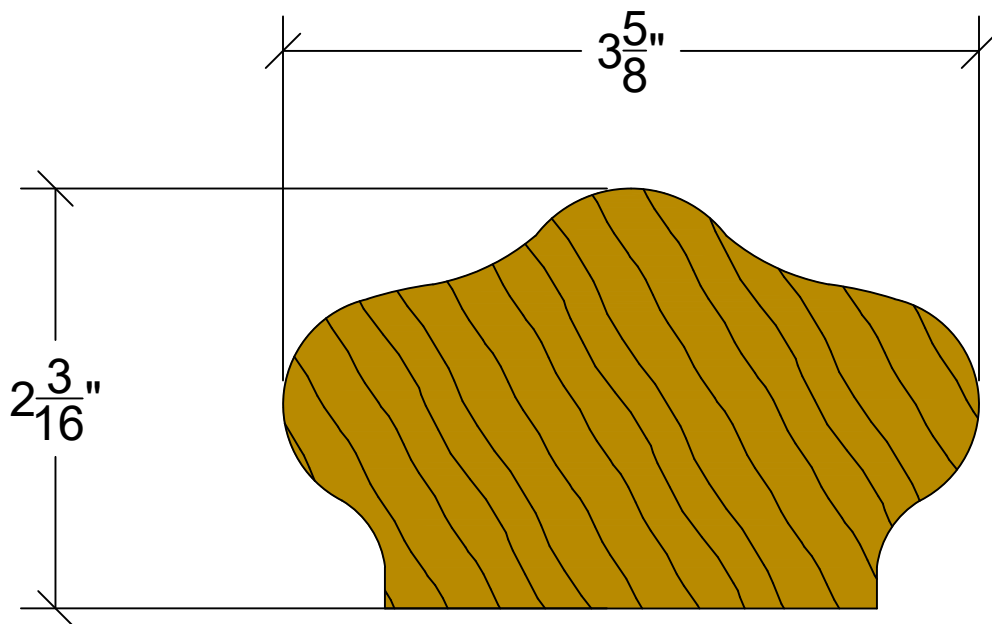
#701



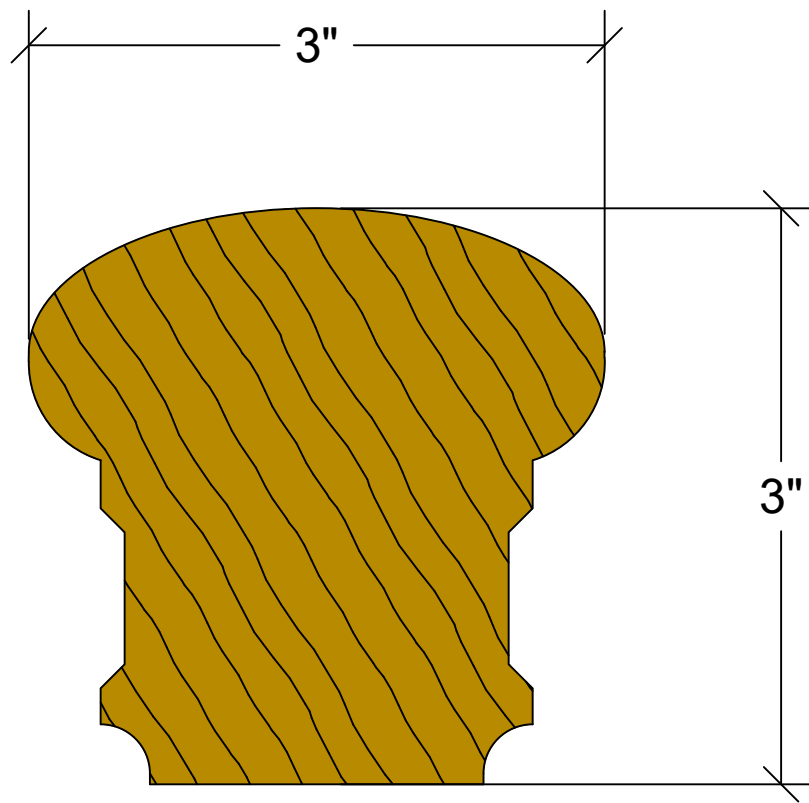
#702



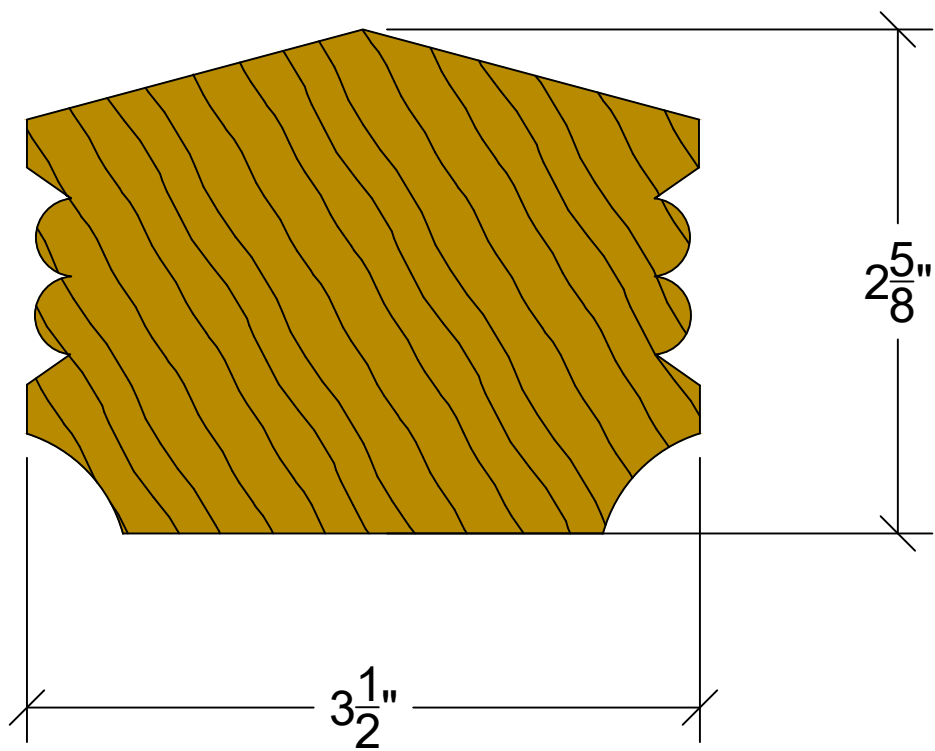
#703



#704



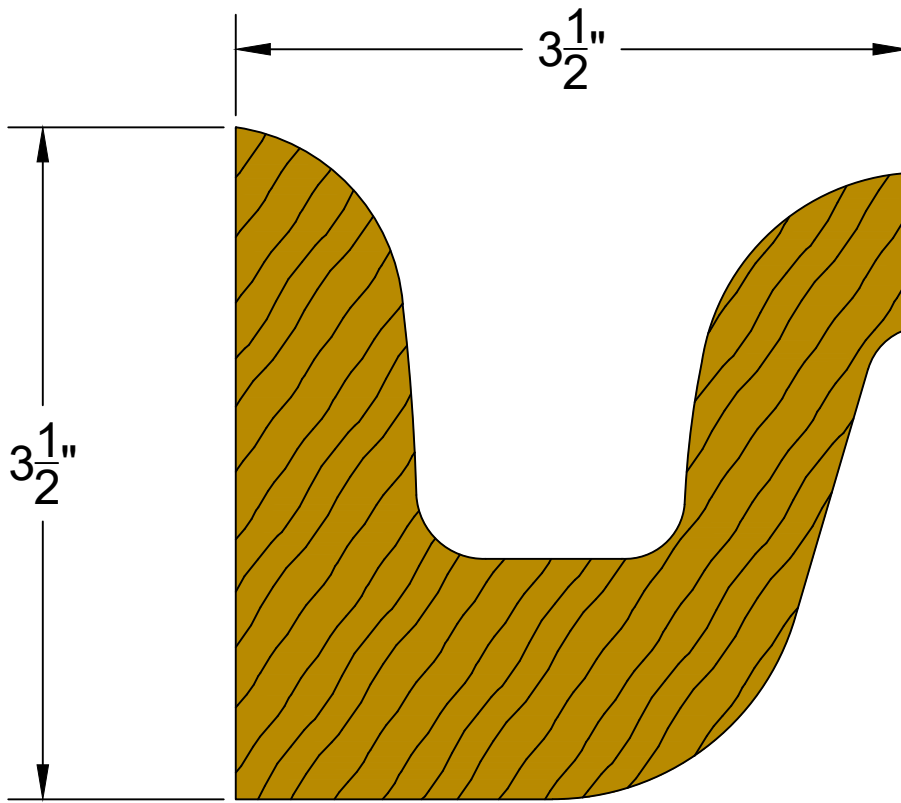
#703



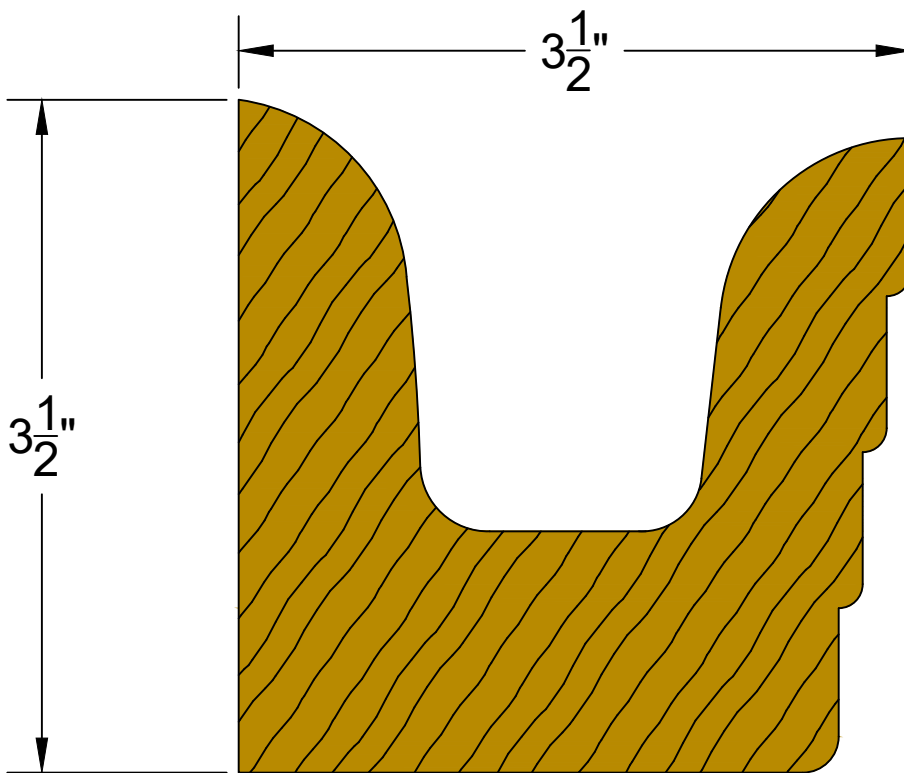
Eavestroughs

#725- #749

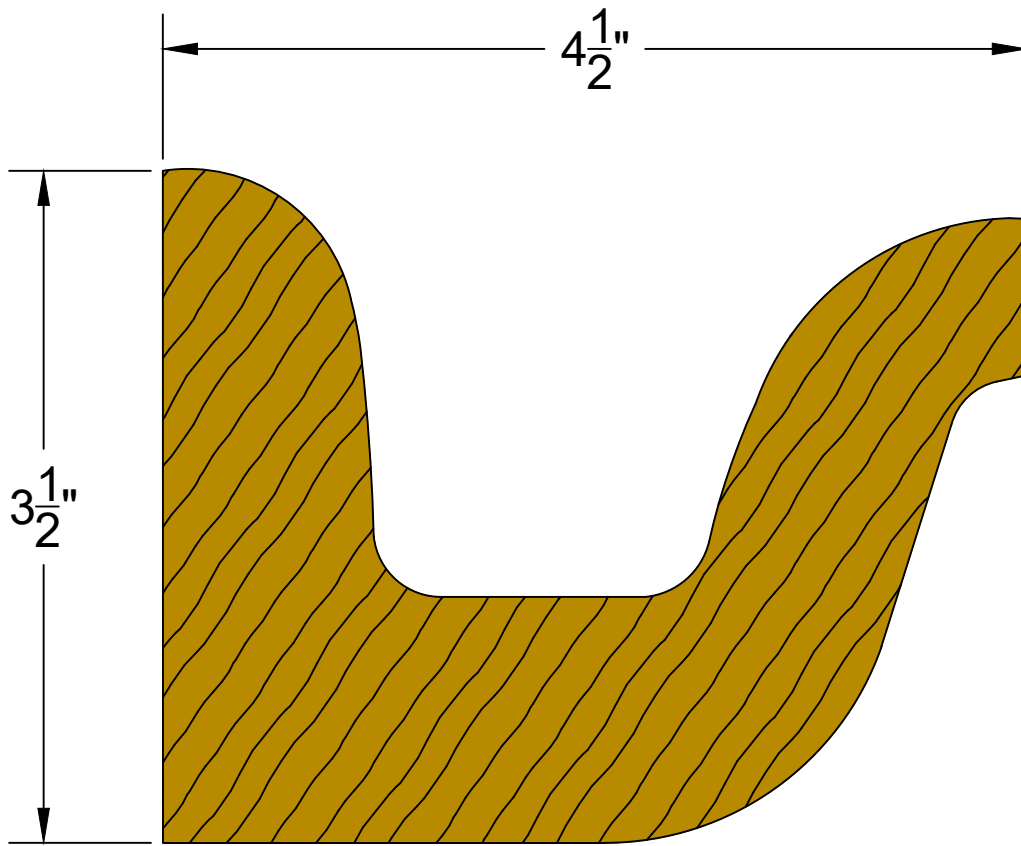
#725



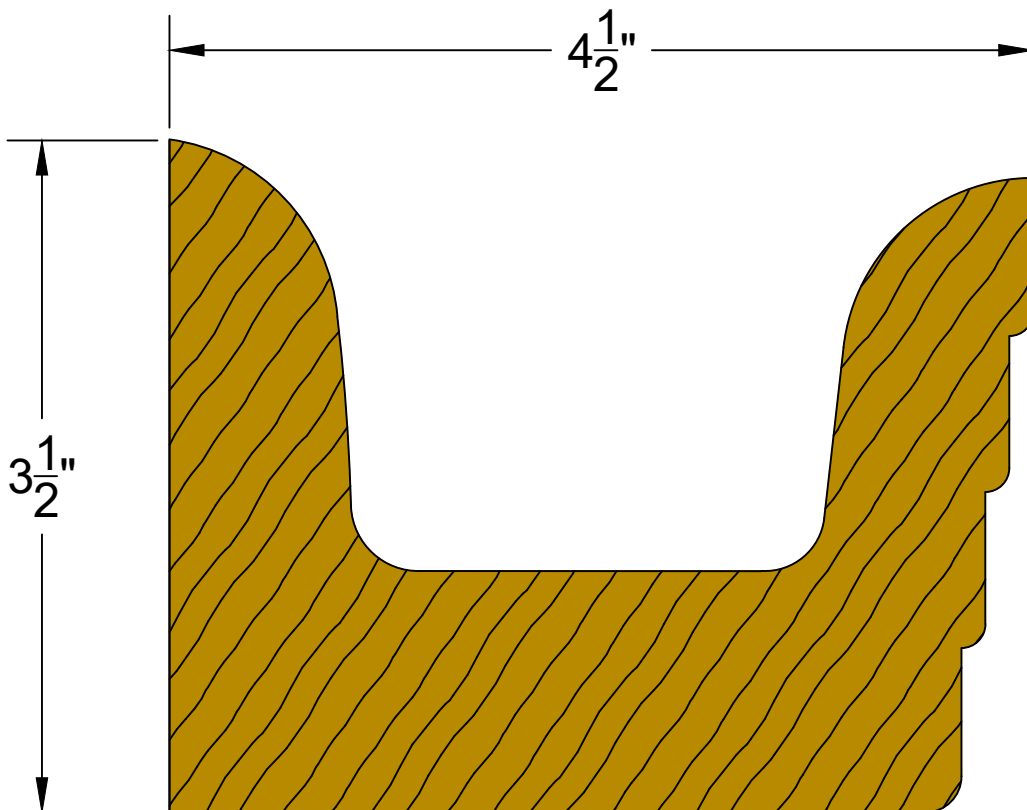
#726



#727



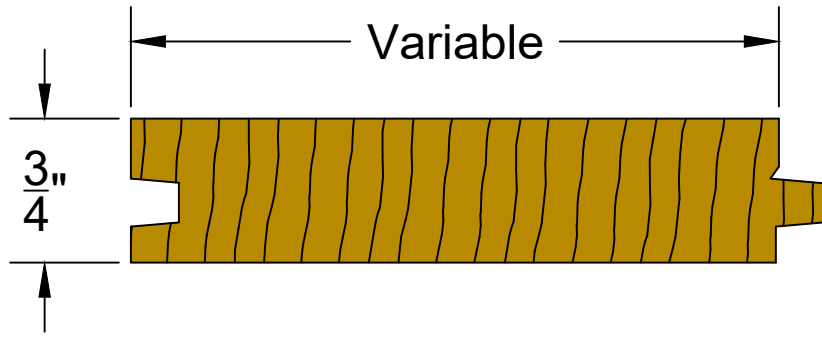
#728



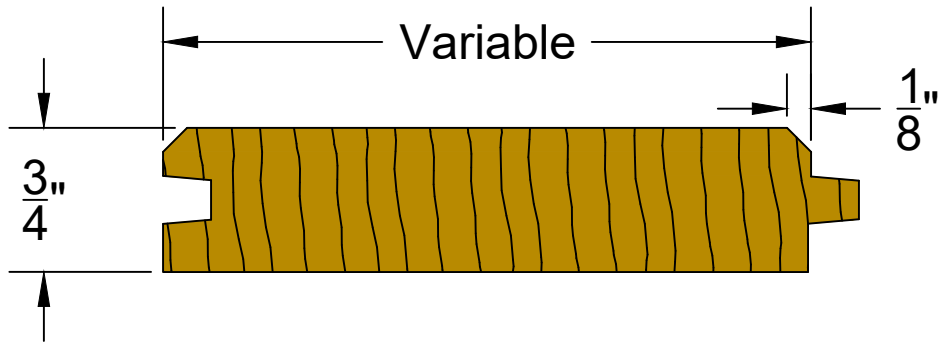
*Flooring, Soffit,
Paneling*

#750 - #799

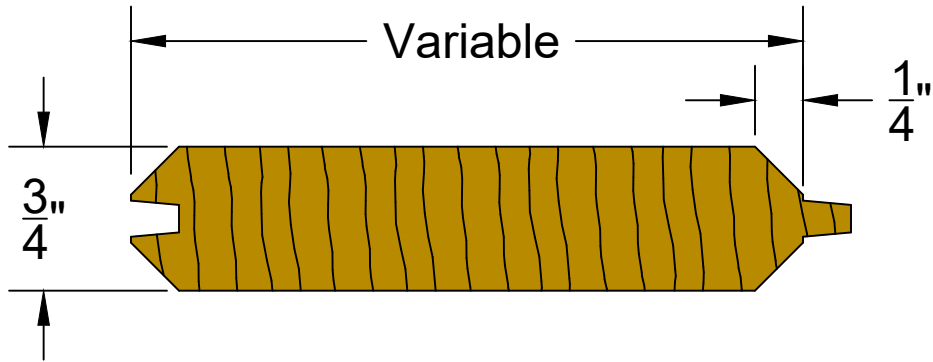
#750



#751



#752



#753